



# 深圳市思迪科科技有限公司

## SHENZHEN CDTECH ELECTRONICS

### Product Specification

<b>Model Name</b>	S050HWV29HS
<b>Description</b>	5.0" WVGA 800(RGB)x480 Dots
<b>Date</b>	2020/07/01
<b>Version</b>	1.0

<b>Approved by/Date</b>	<b>Check by/Date</b>	<b>Prepared by/Date</b>
ZHP 2020/07/01	HZX 2020/07/01	Yigui.Han 2020/07/01

<b>Customer Approval</b>	
<b>Date</b>	



# 深圳市思迪科科技有限公司

## SHENZHEN CDTECH ELECTRONICS

### Table of Contents

1. Record of Revision .....	3
2. General Specifications .....	4
3. Input/Output Terminals .....	5
4. Absolute Maximum Rating .....	6
5. Electrical Characteristics.....	6
6. Interface Timing.....	9
7. Optical Characteristics .....	12
8. Environmental / Reliability Tests .....	15
9. Mechanical Drawing .....	16
10. Packing .....	17
11. Precautions for Use of LCD modules .....	18



# 深圳市思迪科科技有限公司

## SHENZHEN CDTECH ELECTRONICS

### 1. Record of Revision

Rev	Issued Date	Description	Editor
1.0	2020/07/01	First Release.	Yigui.Han



# 深圳市思迪科科技有限公司

## SHENZHEN CDTECH ELECTRONICS

### 2. General Specifications

	Feature	Spec
Characteristics	Size	5 inch
	Resolution	800(horizontal)*480(Vertical)
	Interface	LVDS
	Connect type	Connector
	Display Colors	16.7M
	Technology type	a-Si
	Pixel pitch (mm)	0.135*0.135
	Pixel Configuration	R.G.B.-Stripe
	Display Mode	Normally Black
	LCD Driver IC	ST7262
	Viewing Direction	Full view
Mechanical	LCM (W x H x D) (mm)	120.7*75.80*2.95
	Active Area(mm)	108 x 64.80
	Weight (g)	TBD
	LED Numbers	12 LEDs

Note 1: Requirements on Environmental Protection: RoHs

Note 2: LCM weight tolerance: +/- 5%

### 3. Input/Output Terminals

No.	Symbol	Description	
1-2	LEDK	Backlight LED Cathode	
3-4	LEDA	Backlight LED Anode.	
5	NC	-	
6	DISP	DISP="1": Normally operation (Default) DISP="0": Timing controller, source driver will turn off ,all output are High-Z.	
7	GND	System Ground	
8-9	VDDI	Power supply (3.3V)	
10-11	VDD	DC-DC circuit supply voltage(3.3V)	
12	SCL(NC)	No connect	
13	SDA(NC)	No connect	
14	CS(NC)	No connect	
15	GND	System Ground	
16	RXCLKIN-	- LVDS differential clock input	
17	RXCLKIN+	+ LVDS differential clock input	
18	GND	System Ground	
19	RXIN0-	- LVDS differential data input	
20	RXIN0+	+ LVDS differential data input	
21	GND	System Ground	
22	RXIN1-	- LVDS differential data input	
23	RXIN1+	+ LVDS differential data input	
24	GND	System Ground	
25	RXIN2-	- LVDS differential data input	
26	RXIN2+	+ LVDS differential data input	
27	GND	System Ground	
28	RXIN3-	- LVDS differential data input	
29	RXIN3+	+ LVDS differential data input	
30	GND	System Ground	
31	RESET	Global reset pin	
32	ENPROG(NC)	No connect	
33	VDIR	Vertical scan direction control pin. This pin must be connected to "H" according to system application.	
		VDIR	Function Description
		L	From down to up
		H	From up to down.

34	HDIR	Horizontal scan direction control pin. This pin must be connected to “ according to system application.	
		HDIR	Function Description
		L	From right to left
		H	From left to right
35	NC	No connect	
36	GND	System Ground	
37	XR(NC)	No connect	
38	YD(NC)	No connect	
39	XL(NC)	No connect	
40	YU(NC)	No connect	

## 4. Absolute Maximum Rating

Item	Symbol	MIN	Typ	MAX	Unit	Remark
Supply Voltage	VDD	-0.5	-	5	V	-
Operating Temperature	TOPR	-20	-	70	°C	-
Storage Temperature	TSTG	-30	-	80	°C	-

## 5. Electrical Characteristics

### 5.1 ELECTRICAL CHARACTERISTICS

Item	Symbol	Min.	Typ.	Max.	Unit	Conditions
Supply Voltage	VDD	3.0	3.3	3.6	V	
IO Supply Voltage	VDDI	3.0	-	3.6	V	
Charge Pump Supply Voltage	PVDD	3.0	3.3	3.6	V	

### 5.2 DC Characteristics for Digital Circuit

Item	Symbol	Min.	Typ.	Max.	Unit	Conditions
Logic-High Input Voltage	Vih	0.7VDDI	-	VDDI	V	
Logic-Low Input Voltage	Vil	DGND	-	0.3VDDI	V	
Logic-High Output Voltage	Voh	VDDI-0.4	-	VDDI	V	
Logic-Low Output Voltage	Vol	DGND	-	DGND+0.4	V	

### 5.3 DC Characteristics for Analog Circuit

Item	Symbol	Min.	Typ.	Max.	Unit	Conditions
Positive High-Voltage Power	VGH	13	15	16.5	V	No Load@ FR=60Hz
Negative High-Voltage Power	VGL	-7	-10	-11	V	
Output Voltage Deviation	Vod	-	±35	±45	mV	
Standby Current	Isc	-	-	50-	uA	
Operation Current	Ioc	-	20	-	mA	

### 5.4 LED Driving Conditions

Item	Symbol	MIN	TYP	MAX	Unit	Remark
Forward Current	I <sub>F</sub>	-	40	-	mA	
Forward Voltage	V <sub>F</sub>	18	19.2	20.4	V	
Backlight Power consumption	W <sub>BL</sub>	-	0.768	-	W	
LED Lifetime		-	30000	-	Hrs	

Note 1: Each LED: I<sub>F</sub> =20 mA, V<sub>F</sub> =3.2+/-0.2V.

Note 2: Optical performance should be evaluated at Ta=25°C only.

Note 3: If LED is driven by high current, high ambient temperature & humidity condition. The life Time of LED will be reduced. Operating life means brightness goes down to 50% initial brightness. Typical operating life time is estimated data.

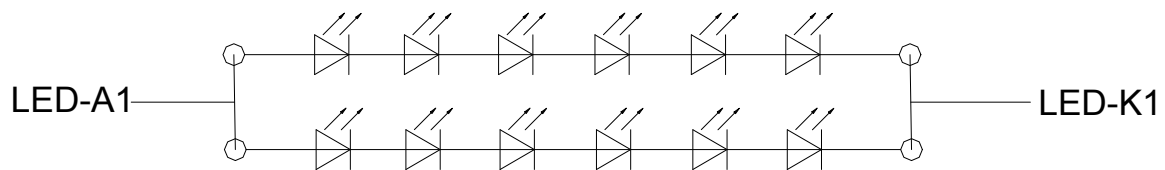
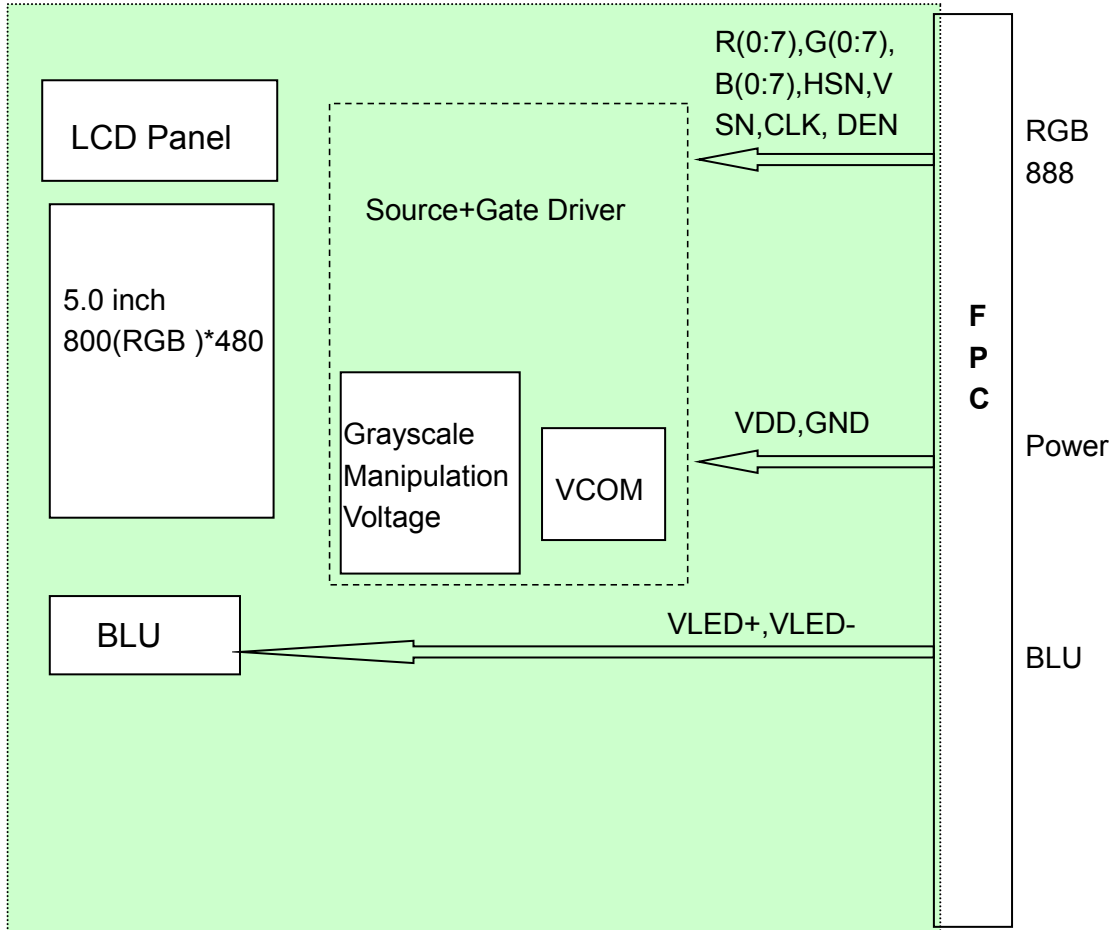


Figure: LED connection of backlight(Constant Current)

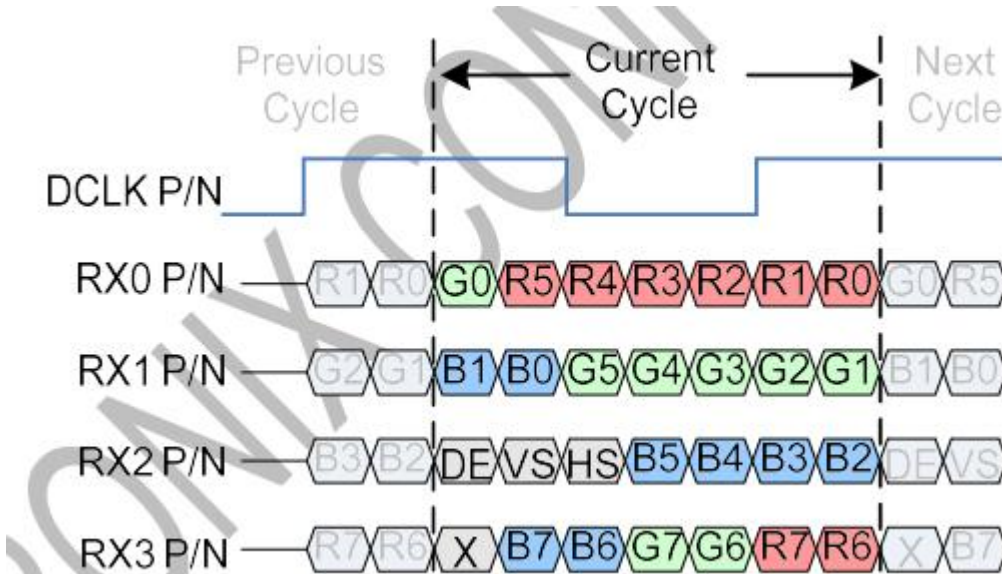
### 5.5 Block Diagram



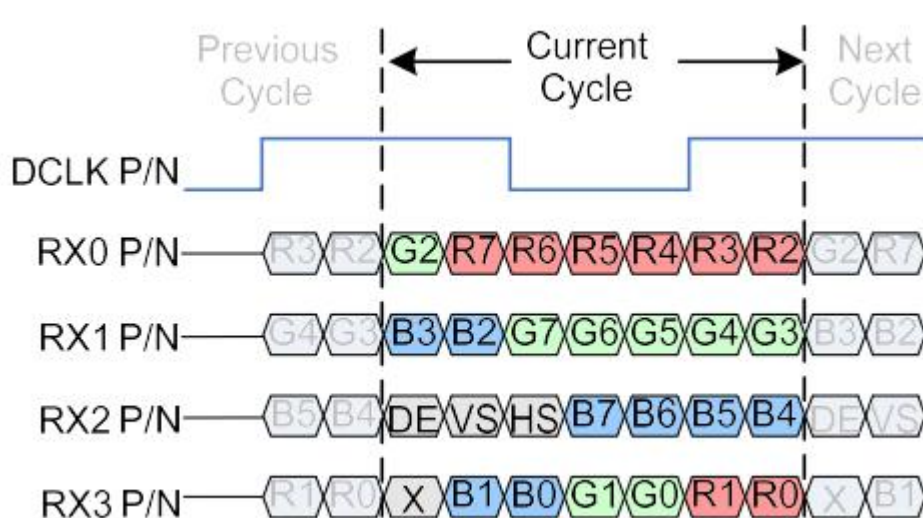


## 6. Interface Timing

### 6.1 LVDS Input Pin Mapping Table

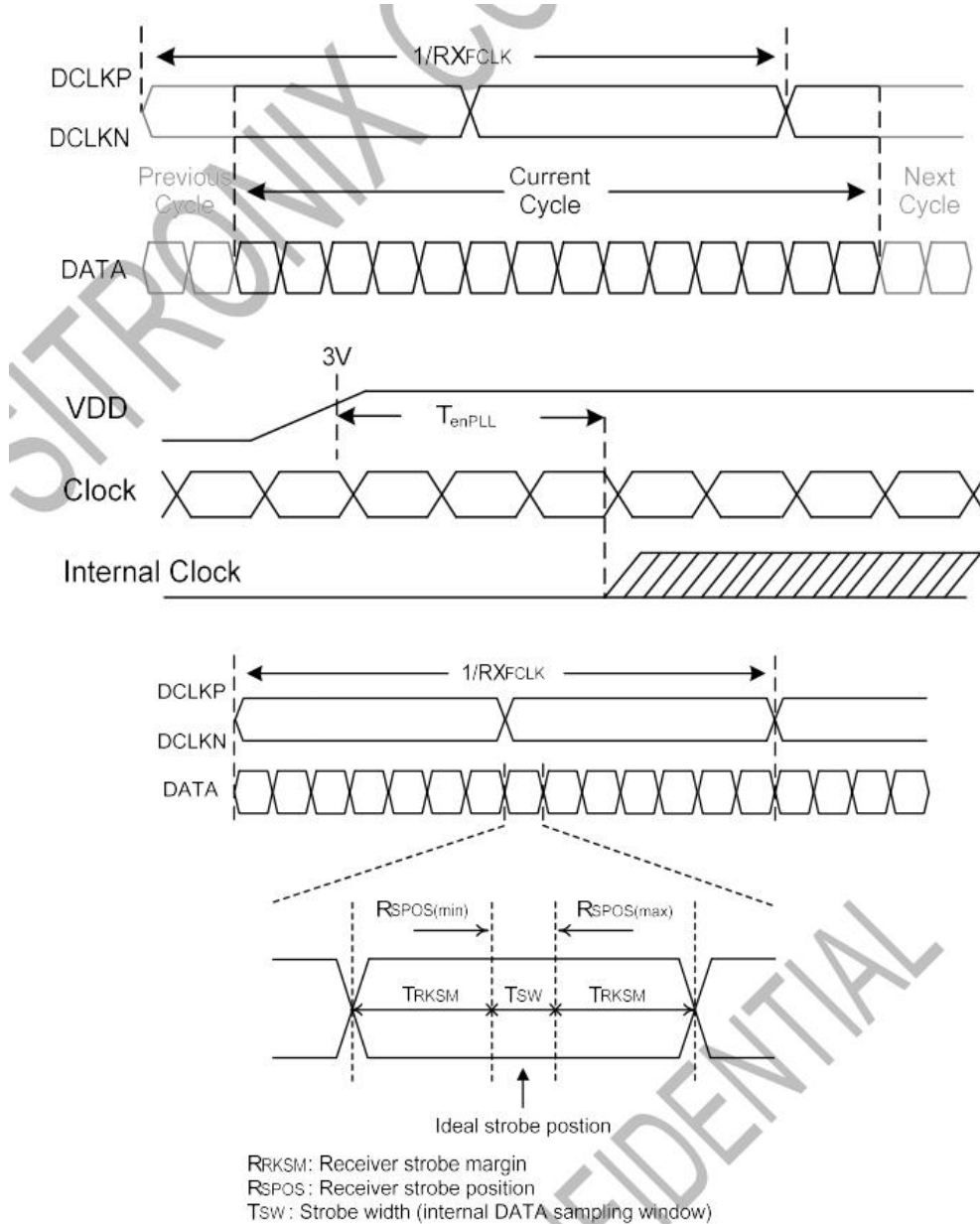


4 Lane VESA Data Format Color Bit Map



4 Lane JEIDA Data Format Color Bit Map

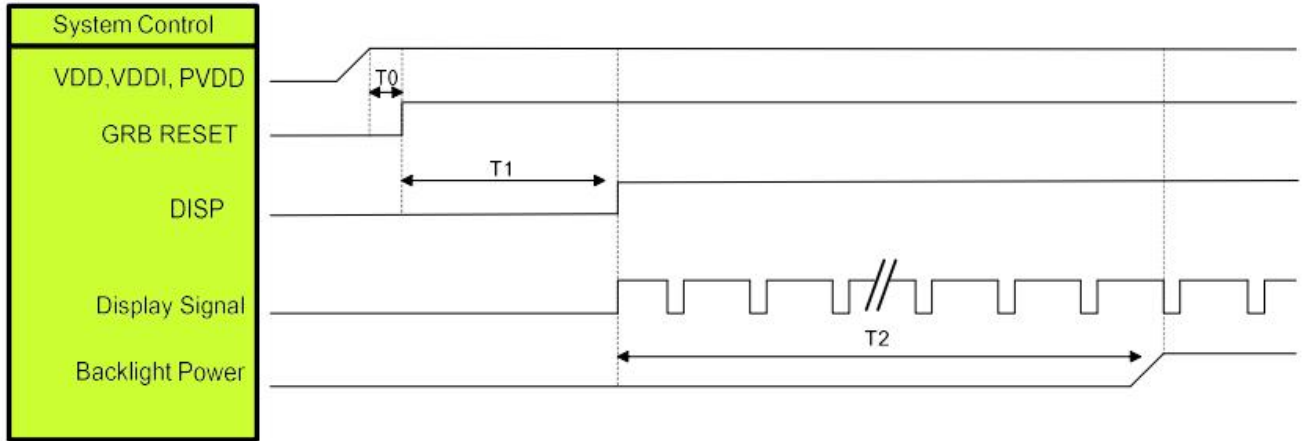
### 6.2 LVDS Input Timing Table



LVDS Input Timing (PVDD=PVDD1=VDD=VDDI= 3.3V, AGND= 0V, TA=25°C)

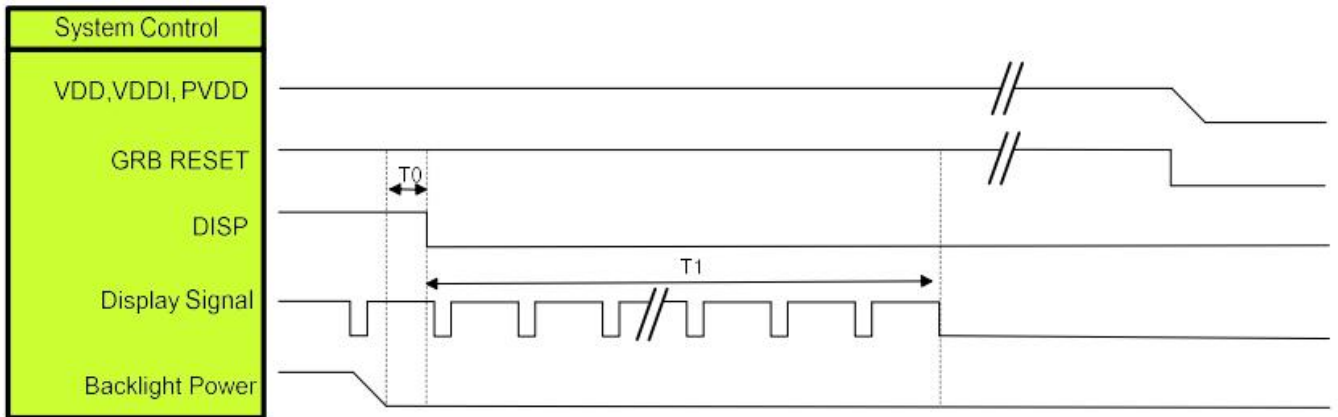
Item	Symbol	Min.	Typ.	Max.	Unit	Conditions
Clock Frequency	RXFCLK	23	25	27	MHz	
Input Data Skew Margin	TRKSM	400			ps	
Clock High Time	TLVCH		4/(7 x RXFCLK)		ns	
Clock Low Time	TLVCL		3/(7 x RXFCLK)		ns	
PLL Wake-up Time	TenPLL			150	us	
LVDS Spread Spectrum Clocking (SSC) Tolerance of LVDS Receiver						
Modulation Frequency	SSCMF			100	KHz	
Modulation Rate	SSCMR			+/-3	%	

### 6.3 Power On Sequence



Symbol	Description	Min. Time	Unit
T0	System power stability to GRB RESET signal	0	ms
T1	GRB RESET = "High" to DISP = "High"	10	ms
T2	Display Signal output to Backlight Power on	250	ms

### 6.4 Power Off Sequence



Symbol	Description	Min. Time	Unit
T0	Backlight Power off to DISP = "Low"	5	ms
T1	DISP = "Low" to IC internal voltage discharge complete	80	ms

## 7. Optical Characteristics

Items	Symbol	Condition	Min.	Typ.	Max.	Unit	Remark	Note
Response time	Tr+Tf	-	-	30	40	ms	FIG.1	Note4
Contrast Ratio	CR		800	1000	-	-	FIG.2	Note1
Surface luminance	LV	$\theta = 0^\circ$	450	500	-	cd/m2	FIG.2	Note2
NTSC	-	$\theta = 0^\circ$	45	50	-	%	FIG.2	Note5
Viewing angle	$\theta_T$	Center CR $\geq$ 10	-	80	-	deg	FIG.3	Note6
	$\theta_B$		-	80	-	deg	FIG.3	
	$\theta_L$		-	80	-	deg	FIG.3	
	$\theta_R$		-	80	-	deg	FIG.3	
Chromaticity	Red	$R_X$	0.565	0.615	0.665	-	FIG.2 CIE1931	Note5
		$R_Y$	0.286	0.336	0.386	-		
	Green	$G_X$	0.342	0.392	0.442	-		
		$G_Y$	0.502	0.552	0.602	-		
	Blue	$B_X$	0.090	0.140	0.190	-		
		$B_Y$	0.075	0.125	0.175	-		
	White	$W_X$	0.290	0.340	0.390	-		
		$W_Y$	0.311	0.361	0.411	-		

### Note1. Definition of contrast ratio

Contrast ratio(Cr) is defined mathematically by the following formula. For more information see FIG.2.

$$\text{Contrast ratio} = \frac{\text{Luminance measured when LCD on the "White" state}}{\text{Luminance measured when LCD on the "Black" state}}$$

For contrast ratio, Surface Luminance, Luminance uniformity and CIE, the testing data is based on TOPCON's BM-5 or BM-7 photo detector or compatible.

### Note2. Definition of surface luminance.

Surface luminance is the luminance with all pixels displaying white. For more information see FIG.2.

$L_v$  = Average Surface Luminance with all white pixels ( $P_1, P_2, P_3, \dots, P_n$ )

### Note3. Definition of luminance uniformity

The luminance uniformity in surface luminance is determined by measuring luminance at each test position 1 through n, and then dividing the maximum luminance of n points luminance by minimum luminance of n points luminance. For more information see FIG.2.

$$YU = \frac{\text{Minimum surface luminance with all white pixels (} P_1, P_2, P_3, \dots, P_n \text{)}}{\text{Maximum surface luminance with all white pixels (} P_1, P_2, P_3, \dots, P_n \text{)}}$$

### Note4. Definition of response time

The response time is defined as the LCD optical switching time interval between “White” state and “Black”state. Rise time ( $T_r$ ) is the time between photo detector output intensity changed from 90% to 10%. And fall time ( $T_f$ ) is the time between photo detector output intensity changed from 10% to 90%.

For additional information see FIG1.

**Note5. Definition of color chromaticity (CIE1931)**

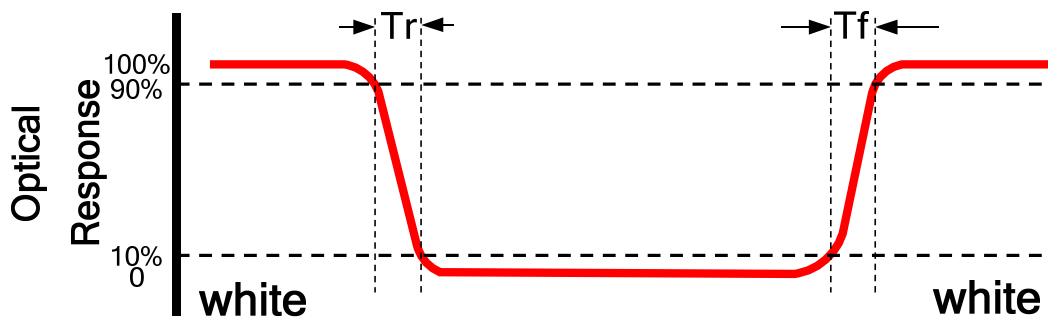
CIE (x,y) chromaticity, The x,y value is determined by screen active area center position P5. For more information see FIG.2.

**Note6. Definition of viewing angle**

Viewing angle is the angle at which the contrast ratio is greater than 10. Angles are determined for the horizontal or x axis and the vertical or y axis with respect to the z axis which is normal to the LCD surface. For more information see FIG.3.

For viewing angle and response time testing, the testing data is base on Autronic-Melchers’ s ConoScope or DMS series Instruments or compatible.

**FIG.1. The definition of response Time**



**FIG.2. Measuring method for contrast ratio, surface luminance,**

**luminance uniformity, CIE (x,y) chromaticity**

Size :  $S \leq 5"$  (see Figure a) A : 5 mm B : 5 mm

H,V : Active area

Light spot size  $\varnothing = 5\text{mm}$  (BM-5) or  $\varnothing = 7.7\text{mm}$  (BM-7) 50cm distance or compatible distance from the LCD surface to detector lens.

test spot position : see Figure a.

measurement instrument : TOPCON’s luminance meter BM-5 or BM-7 or compatible (see Figure c).

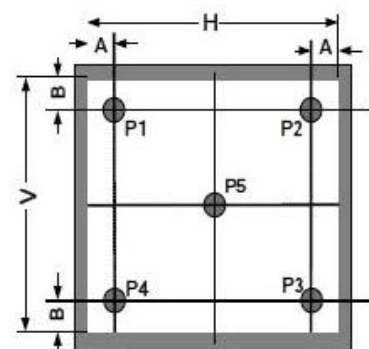


Figure a

Size :  $5'' < S \leq 12.3''$  (see Figure b) H,V : Active area

Light spot size  $\varnothing=5\text{mm}$  (BM-5) or  $\varnothing=7.7\text{mm}$  (BM-7) 50cm distance or compatible distance from the LCD surface to detector lens.

test spot position : see Figure b.

measurement instrument : TOPCON's luminance meter BM-5 or BM-7 or compatible (see Figure c).

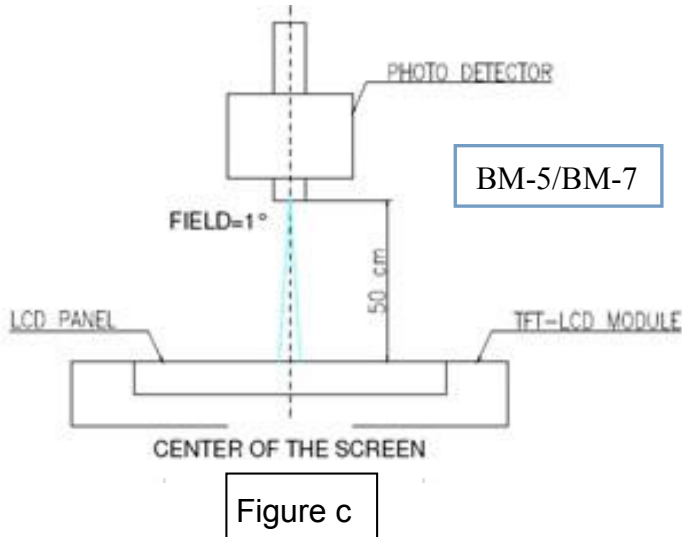
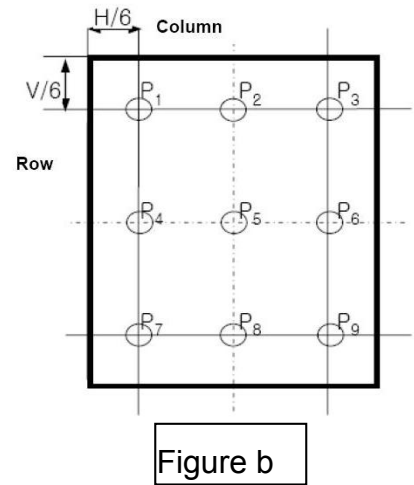
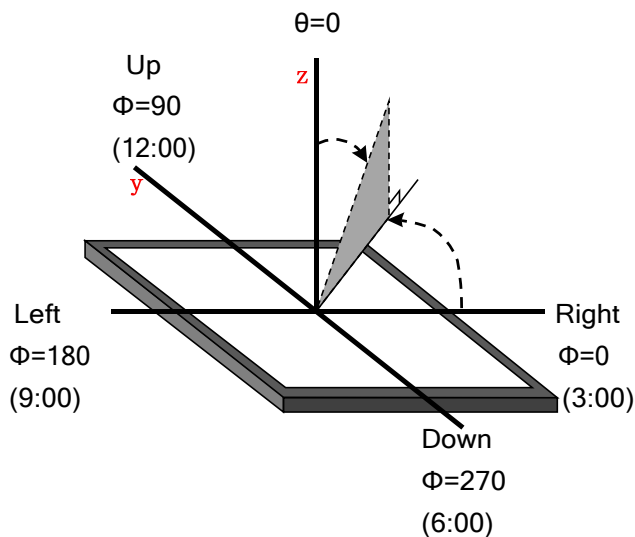


FIG.3.The definition of viewing angle

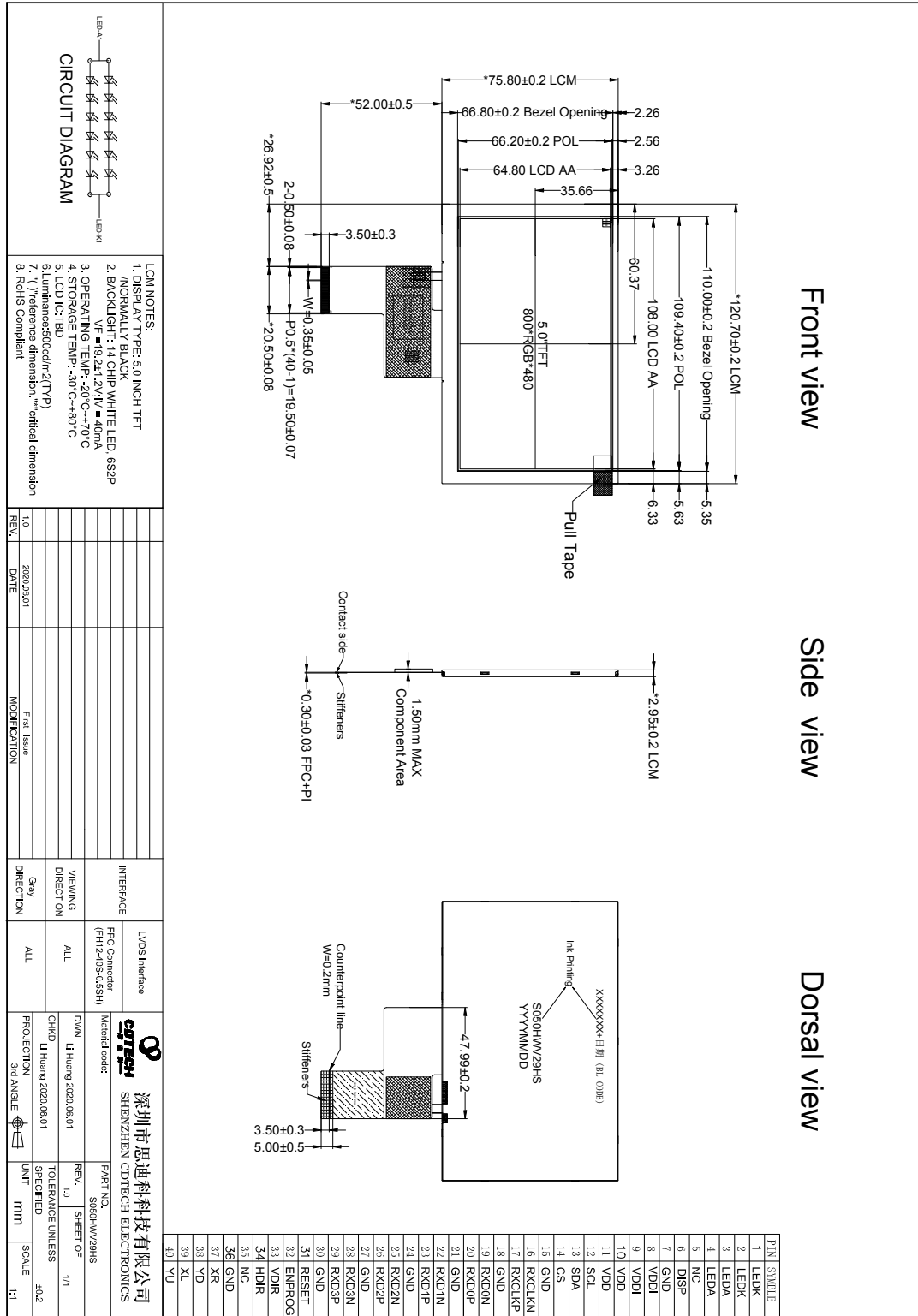


## 8. Environmental / Reliability Tests

No	Test Item	Condition	Remarks
1	High Temperature Operation	Ts= +70°C, 96hrs	Note 1 IEC60068-2-2, GB2423. 2-89
2	Low Temperature Operation	Ta= -20°C, 96hrs	Note 2 IEC60068-2-1 GB2423.1-89
3	High Temperature Storage	Ta= +80°C, 96hrs	IEC60068-2-2 GB2423. 2-89
4	Low Temperature Storage	Ta= -30°C, 96hrs	IEC60068-2-1 GB/T2423.1-89
5	High Temperature & Humidity Storage	Ta= +60°C, 90% RH max,96 hours	IEC60068-2-3 GB/T2423.3-2006
6	Thermal Shock (Non-operation)	-20°C 30 min ~ +60°C 30 min Change time: 5min, 30 Cycle	Start with cold temperature, end with high temperature IEC60068-2-14, GB2423.22-87
7	Electro Discharge (Operation)	Static C=150pF, R=330 Ω, 5 points/panel Air:±8KV, 5 times; Contact: ±4KV, 5 times; (Environment: 15°C ~ 35°C, 30% ~ 60%, 86Kpa ~ 106Kpa)	IEC61000-4-2 GB/T17626.2-1998
8	Vibration (Non-operation)	Frequency range: 10~55Hz, Stroke: 1.mm Sweep: 10Hz~55Hz~10Hz 2 hours for each direction of X .Y. Z. (package condition)	IEC60068-2-6 GB/T2423.5-1995
9	Shock (Non-operation)	60G 6ms, ± X, ±Y , ± Z 3 times for each direction	IEC60068-2-27 GB/T2423.5-1995
10	Package Drop Test	Height: 80 cm, 1 corner, 3 edges, 6 surfaces	IEC60068-2-32 GB/T2423.8-1995

- Note: 1. Ts is the temperature of panel's surface.  
2. Ta is the ambient temperature of sample.  
3. The size of sample is 5pcs.

### 9. Mechanical Drawing







# 深圳市思迪科科技有限公司

## SHENZHEN CDTECH ELECTRONICS

### 10. Packing

Packing Method

TBD

## 11. Precautions for Use of LCD modules

### 11.1 Handling Precautions

11.1.1. The display panel is made of glass. Do not subject it to a mechanical shock by dropping it from a high place, etc.

11.1.2. If the display panel is damaged and the liquid crystal substance inside it leaks out, be sure not to get any in your mouth, if the substance comes into contact with your skin or clothes, promptly wash it off using soap and water.

11.1.3. Do not apply excessive force to the display surface or the adjoining areas since this may cause the color tone to vary.

11.1.4. The polarizer covering the display surface of the LCD module is soft and easily scratched. Handle this polarizer carefully.

11.1.5. If the display surface is contaminated, breathe on the surface and gently wipe it with a soft dry cloth. If still not completely clear, moisten cloth with one of the following solvents:

- Isopropyl alcohol
- Ethyl alcohol

Solvents other than those mentioned above may damage the polarizer. Especially, do not use the following:

- Water
- Ketene
- Aromatic solvents

11.1.6. Do not attempt to disassemble the LCD Module.

11.1.7. If the logic circuit power is off, do not apply the input signals.

11.1.8. To prevent destruction of the elements by static electricity, be careful to maintain an optimum work environment.

11.1.8.1. Be sure to ground the body when handling the LCD Modules.

11.1.8.2. Tools required for assembly, such as soldering irons, must be properly ground.

11.1.8.3. To reduce the amount of static electricity generated, do not conduct assembly and other work under dry conditions.

11.1.8.4. The LCD Module is coated with a film to protect the display surface. Be care when peeling off this protective film since static electricity may be generated.

### 11.2 Storage Precautions

11.2.1. When storing the LCD modules, avoid exposure to direct sunlight or to the light of fluorescent lamps.

11.2.2. The LCD modules should be stored under the storage temperature range. If the LCD modules will be stored for a long time, the recommend condition is:

Temperature : 0°C ~ 40°C      Relatively humidity: ≤80%

11.2.3. The LCD modules should be stored in the room without acid, alkali and harmful gas.



# 深圳市思迪科科技有限公司

## SHENZHEN CDTECH ELECTRONICS

### **11.3 Transportation Precautions**

The LCD modules should be no falling and violent shocking during transportation, and also should avoid excessive press, water, damp and sunshine.