



# **EK79713CA**

*Rev. 2.1*

DATA SHEET

**1200-Output TFT LCD**  
**Source Driver with TCON**

*fitipower integrated technology Inc.*

### Table of Contents

	Page
1. GENERAL DESCRIPTION.....	2
2. FEATURES.....	2
3. BLOCK DIAGRAM .....	3
4. PIN DESCRIPTION.....	7
4.1. Value of wiring resistance to each pin.....	9
5. FUNCTION DESCRIPTION.....	10
5.1. Power On/Off Sequence .....	10
5.2. Input Data VS Output Channels .....	12
5.3. Input Data VS Output Voltage.....	13
5.4. Input Data and Output Voltage Reference Table.....	14
5.5. Data Input Format.....	16
5.6. Timing Characteristic.....	17
6. ELECTRICAL SPECIFICATION.....	19
6.1. Absolute Maximum Ratings .....	19
6.2. Recommended Operating Range.....	19
6.3. DC Characteristics.....	20
6.4. AC Characteristics.....	21
6.5. Timing Table.....	21
6.6. Timing Waveform.....	22
7. PAD DIAGRAM.....	25
7.1. CHIP OUTLINE DIMENSIONS .....	28
7.2. ALIGNMENT MARK DIMENSION (unit: um).....	33
7.3. PAD COORDINATES .....	34
8. DEFINITIONS .....	47
8.1. Data Sheet Status .....	47
8.2. Life Support Application .....	47
9. REVISION HISTORY .....	47

### 1200-Output TFT LCD Source Driver with TCON

#### 1. GENERAL DESCRIPTION

EK79713 is a highly integrated 1200 channel source driver with TTL interface Timing Controller for color TFT-LCD panels. EK79713CB is special designed for dual-gate architecture TFT panel. This chip is dedicated for the display resolution of: 800\*480 and 800\*600 application.

EK79713CB input timing support TTL digital 24bit parallel RGB data format, and source output support 8-bit resolution 256 gray scales with dithering feature enabled. Operating parameters can be set via pin control for all control features. Special circuit architecture is designed for lower power dissipation.

EK79713CB can be configured as dual-gate operation mode for reducing FPC amount and save the cost. With wide range of supply voltages and many pin control features make this chip more suitable for various applications.

#### 2. FEATURES

Special design for small-sized color TFT LCD source drivers with timing controller

Integrated 1200 channel source driver

Support dual-gate operation mode

Support display resolutions : 800(RGB)x480 ~ 800(RGB)x600

Support TTL 24-bit parallel (RGB) input timing

Source output with 8-bit resolution 256 gray scale (2-bit dithering)

Support Delta or Stripe color filter configuration

Support stand-by mode for low power consumption

Pin controlled UP/DOWN, LEFT/RIGHT, HV/DE mode select function

Embedded Gamma Table for special custom request

Support external V1 ~ V14 pad for Gamma adjusting

Output dynamic range: 0.1 ~ AVDD-0.1V

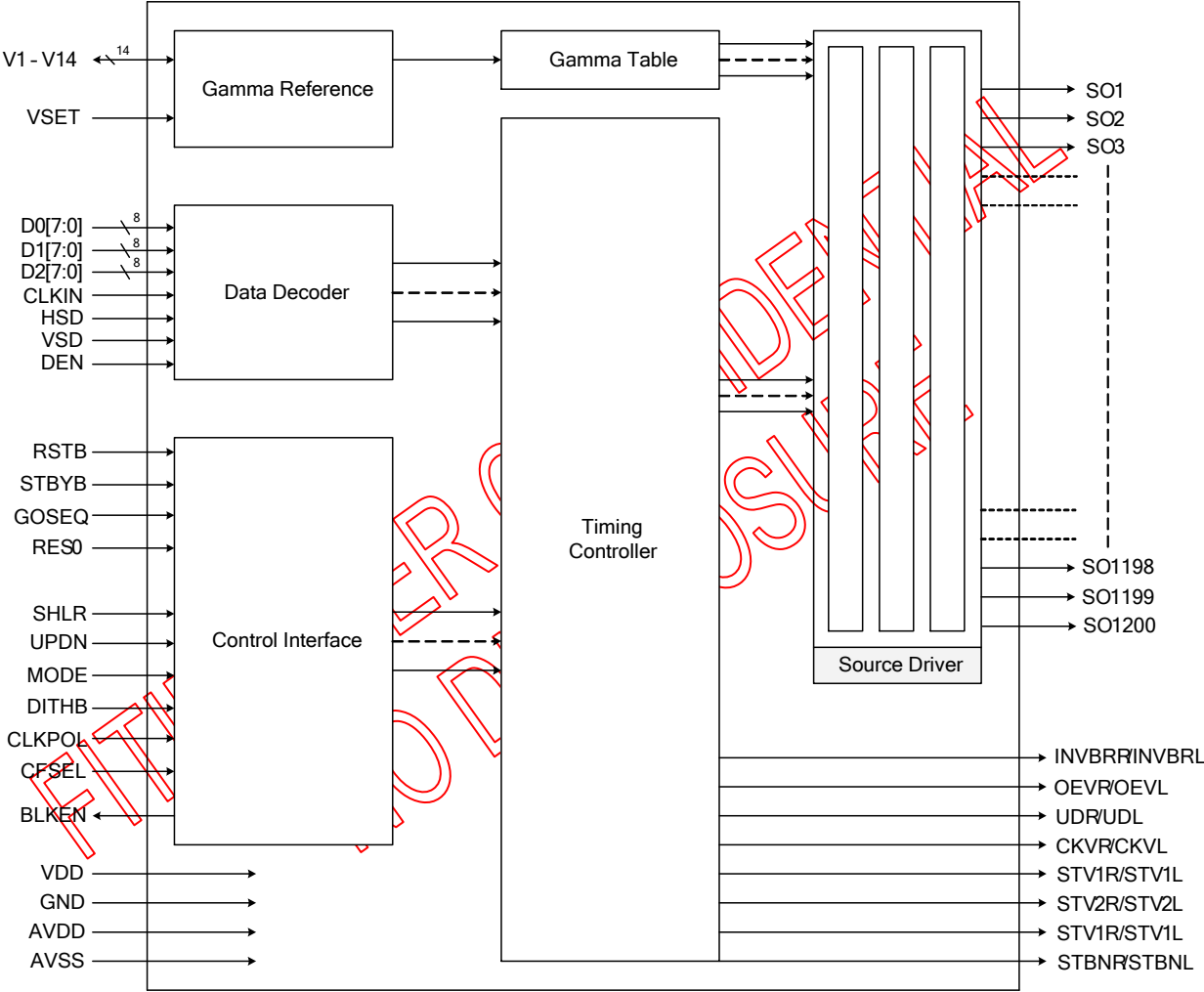
Power for source driver voltage AVDD: 6.5V ~ 13.5V

Power for digital interface circuit VDD: 1.8 ~ 3.6V

Max. operating frequency: 50 MHz

COG package

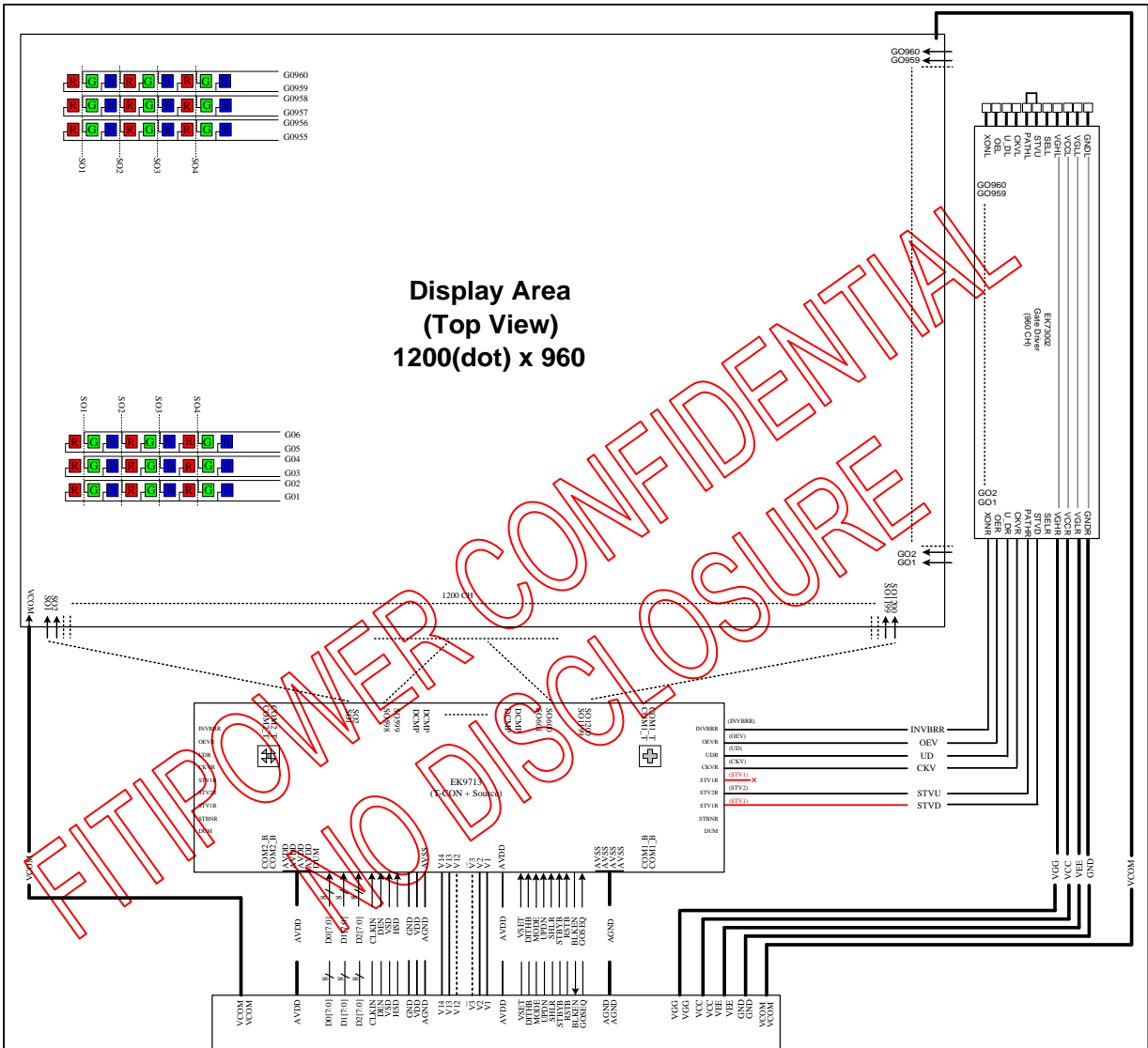
### 3. BLOCK DIAGRAM



Block Diagram

# fitipower

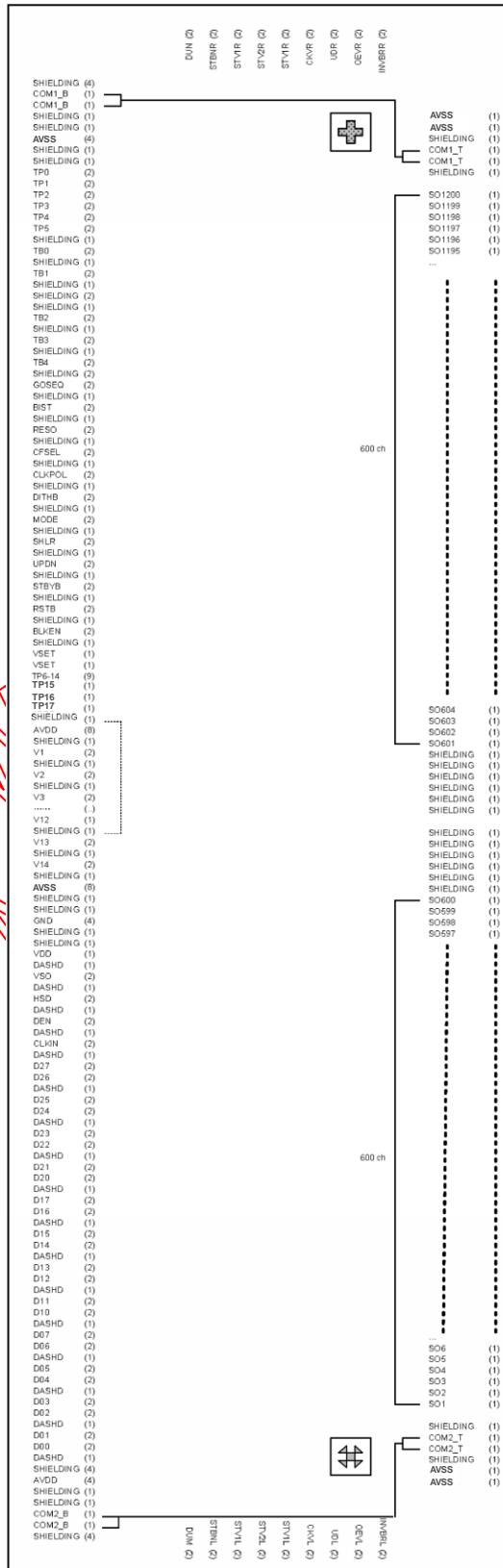
## EK79713CA



Application Block Diagram – Dual Gate Application

# fitipower

## EK79713CA



***fitipower***

**EK79713CA**

---

Pad Sequence (Bump Side)

FITIPOWER CONFIDENTIAL  
NO DISCLOSURE

# fitipower

## EK79713CA

### 4. PIN DESCRIPTION

Pin Description

Pin Name	Pin Type	Description
D07~D00 D17~D10 D27~D20	Input	Parallel data Input. For TTL 24-bit parallel RGB image data input. D[07:00] = R[7:0] data; D[17:10] = G[7:0] data; DIN[27:20] = B[7:0] data. For 18bit RGB interface, connect two LSB bits of all the R/G/B data buses to GND.
CLKIN	Input	Clock for Input Data. Data latched at rising/falling edge of this signal. Default falling edge.
HSD	Input	Horizontal Sync input. Negative polarity. Normally pull high.
VSD	Input	Vertical Sync input. Negative polarity. Normally pull high.
DEN	Input	Data Input Enable. Active High to enable the data input bus under "DE Mode". Normally pull low.
MODE	Input	DE / SYNC mode select. Normally pull high H: DE mode. L: HSD/VSD mode.
RES0	Input	Display resolution selection. RES0 = "0", for 800(RGB)*480 display resolution RES0 = "1", for 800(RGB)*600 display resolution
DITHB	Input	Dithering function enable control. Normally pull high DITHB = "1", Disable internal dithering function DITHB = "0", Enable internal dithering function
CLKPOL	Input	Input clock edge selection. Normally pull low CLKPOL = "1", Latch data at CLKIN rising edge. CLKPOL = "0", Latch data at CLKIN falling edge. (Default)
BLKEN	Output	Backlight enable control signal for external controller. BLKEN = "1", Logical control signal to turn on external backlight controller BLKEN = "0", Turn off external backlight controller Note: Refer to the Power On/Off Sequence for the detail information.
CFSEL	Input	Color Filter type selection. Normally pull high CFSEL = "1", Stripe mode. (Default) CFSEL = "0", Delta mode
V1 ~ V14	Bi-direction	When VSET="0", INTERNAL Gamma Table is used. V1~V14 pad are un-used. When VSET="1". V1~V14 are the external gamma correction points. The voltage of these pins must be: AVSS<V14<V13<V12<V11<V10<V9<V8;V7<V6<V5<V4<V3<V2<V1<AVDD
VSET	Input	Gamma correction source select. Normally pull low. VSET = "0", use internal Gamma Reference voltage (AVDD). (Default mode) VSET = "1", use external Gamma Correction Input (V1~V14).
RSTB	Input	Global reset pin. Active Low to enter Reset State. Suggest to connecting with an RC reset circuit for stability. Normally pull high.
STBYB	Input	Standby mode, Normally pull high. STBYB = "1", normal operation STBYB = "0", timing controller, source driver will turn off, all output are High-Z



Pin Name	Pin Type	Description
SHLR	Input	Source Right or Left sequence control. Normally pull high. SHLR = "L", shift left: last data = S1←S2←S3.....←S1200 = first data. SHLR = "H", shift right: first data = S1→S→S3.....→S1200 = last data.
UPDN	Input	Gate Up or Down scan control. Normally pull low. UPDN = "L", STV2 output vertical start pulse and UD pin output logical "0" to Gate driver. UPDN = "H", STV1 output vertical start pulse and UD pin output logical "1" to Gate driver.
BIST	Input	Normal Operation/BIST pattern select. Normally pull low BIST = H : BIST(DCLK input is not needed) BIST = L : Normal Operation
GOSEQ	Input	Gate on sequence. Normally pull low. Please refer to Note 1. GOSEQ = H : INVBRR/INVBRL = L Gate on G1→G2→G4→G3→G5→G6→G8→G7..... (UPDN = "H") GOSEQ = L : INVBRR/INVBRL = H Gate on G1→G2→G3→G4→G5→G6→G7→G8..... (UPDN = "H")
OEVR/OEVL	Output	Gate driver control signal.
UDR/UDL	Output	Gate driver control signal.
CKVR/CKVL	Output	Gate driver control signal.
STV1R/STV1L	Output	Gate driver control signal.
STV2R/STV2L	Output	Gate driver control signal.
STBNR/STBNL	Output	Gate driver control signal.
INVBRR/INVBRL	Output	Gate driver control signal (For special Gate on sequence).
AVDD	Power Input	Power supply for analog circuits
AVSS	Power Input	Ground pins for analog circuits
VDD/VDDD	Power Input	Power supply for digital circuits
GND/VSSD	Power Input	Ground pins for digital circuits
SO1~SO1200	Output	Source Driver Output Signals. All outputs will be of unknown values under stand-by mode.
ALIGN	Mark	For assembly alignment.
COM1_B COM1_B	Shorted line	Internal link together between input side and output side.
COM1_T COM2_T	Shorted line	Internal link together between input side and output side.
TP17~0 TB0~4	Testing	Float these pins for normal operation.
SHIELDING	Shielding	IC Shielding pads. Those pins are internally connected to the AVSS. DO NOT connect to any WOA on the panel.
DASHD	Shielding	Data Bus Shielding pad. Those pins are internally connected to the GND. RECOMMAND to add shielding lines on the FPC to reduce EMI.
DUM	Dummy	Dummy pads. Those pins are floating pads.

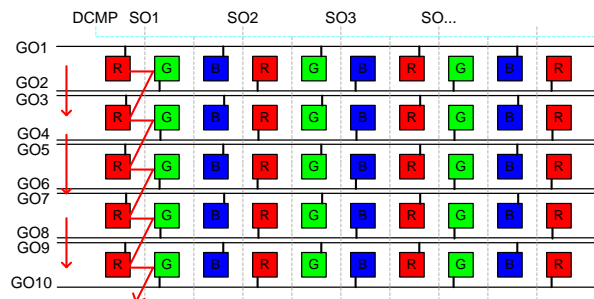
# fitipower

## EK79713CA

Note 1.

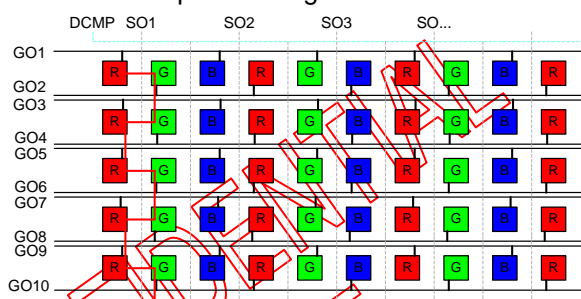
GOSEQ = L, INVBRRINVBRL = H,  
UPDN = H

With traditional Gate driver.



GOSEQ = H, INVBRRINVBRL = L,  
UPDN = H

With special design Gate driver



EK79713CB Pass Line Description:

Pass Line No:	Pad Name	
1	COM1_B	COM1_T
2	COM2_B	COM2_T

#### 4.1. Value of wiring resistance to each pin

The recommended wiring resistance values are shown below. The wiring resistance values affect the current capacity of the power supply, so be sure to design using values that do not exceed those recommended.

Pin Name	Wiring Resistance value(Ω)	Pin Name	Wiring resistance value (Ω)
AVDD	<5	SHLR	<500
AVSS	<5	UPDN	<500
VDD	<10	BIST	<500
GND	<10	MODE	<500
V1~V14	<10	RES0	<500
D00~D07	<50	CLKPOL	<500
D10~D17	<50	BLKEN	<500
D20~D27	<50	CFSEL	<500
CLKIN	<50	VSET	<500
VSD	<50	OEVx	<500
HSD	<50	UDx	<500
DEN	<50	CKVx	<500
RSTB	<500	STV1x	<500
STBYB	<500	STV2x	<500
DITHB	<500	STBNx	<500

# fitipower

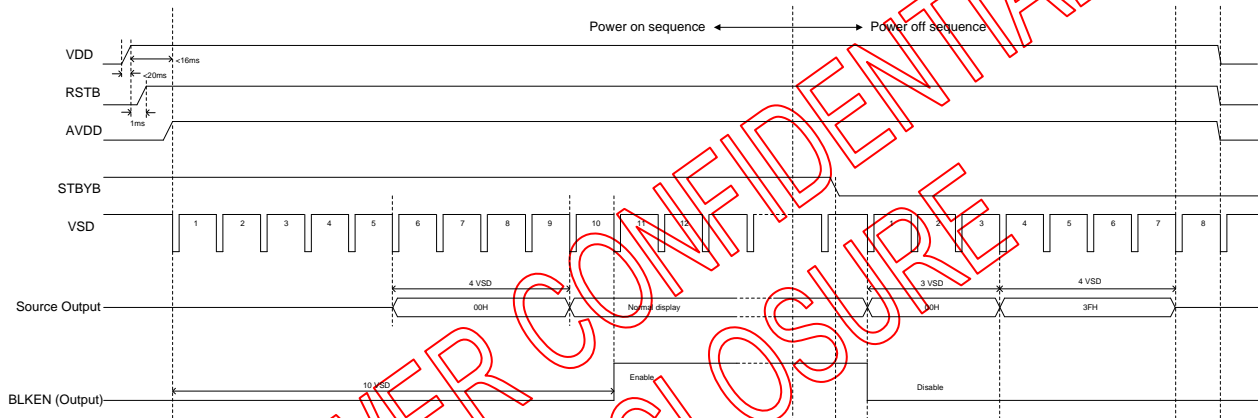
## EK79713CA

### 5. FUNCTION DESCRIPTION

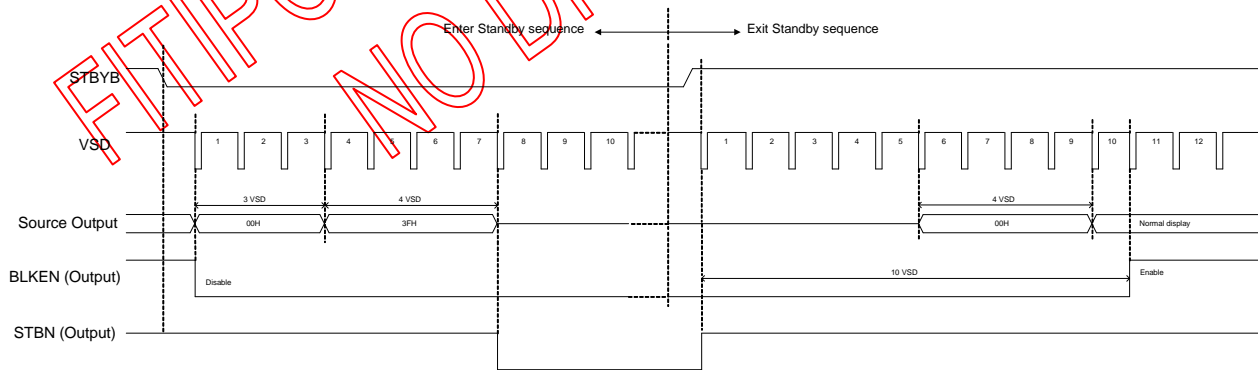
#### 5.1. Power On/Off Sequence

In order to prevent IC from power on reset fail, the rising time (TPOR) of the digital power supply VDD should be maintained within the given specifications. Refer to “AC Characteristics” for more detail on timing.

This is another paragraph of sub-function description.



Power-On/Off Timing Sequence



Enter and Exit Standby Mode Sequence

FITIPOWER CONFIDENTIAL  
NO DISCLOSURE

# fitipower

## EK79713CA

### 5.2. Input Data VS Output Channels

#### 5.2.1. CFSEL="1", Stripe Mode, UDPN=1

SHLR="1", right shift

Output	SO1	SO2	SO3	---	SO1198	SO1199	SO1200
Order	First data			→	Last data		
Odd Line/Gn	D07~D00	D27~D20	D17~D10	---	D07~D00	D27~D20	D17~D10
Odd Line/Gn+1	D17~D10	D07~D00	D27~D20	---	D17~D10	D07~D00	D27~D20
Even Line/Gn	D07~D00	D27~D20	D17~D10	---	D07~D00	D27~D20	D17~D10
Even Line/Gn+1	D17~D10	D07~D00	D27~D20	---	D17~D10	D07~D00	D27~D20

SHLR="0", left shift

Output	SO1	SO2	SO3	---	SO1198	SO1199	SO1200
Order	Last data			←	First data		
Odd Line/Gn	D07~D00	D27~D20	D17~D10	---	D07~D00	D27~D20	D17~D10
Odd Line/Gn+1	D17~D10	D07~D00	D27~D20	---	D17~D10	D07~D00	D27~D20
Even Line/Gn	D07~D00	D27~D20	D17~D10	---	D07~D00	D27~D20	D17~D10
Even Line/Gn+1	D17~D10	D07~D00	D27~D20	---	D17~D10	D07~D00	D27~D20

#### 5.2.2. CFSEL="0", Delta Mode, UDPN=1

SHLR="1", right shift

Output	SO1	SO2	SO3	---	SO1198	SO1199	SO1200
Order	First data			→	Last data		
Odd Line/Gn	D07~D00	D27~D20	D17~D10	---	D07~D00	D27~D20	D17~D10
Odd Line/Gn+1	D17~D10	D07~D00	D27~D20	---	D17~D10	D07~D00	D27~D20
Even Line/Gn	D17~D10	D07~D00	D27~D20	---	D17~D10	D07~D00	D27~D20
Even Line/Gn+1	D27~D20	D17~D10	D07~D00	---	D27~D20	D17~D10	D07~D00

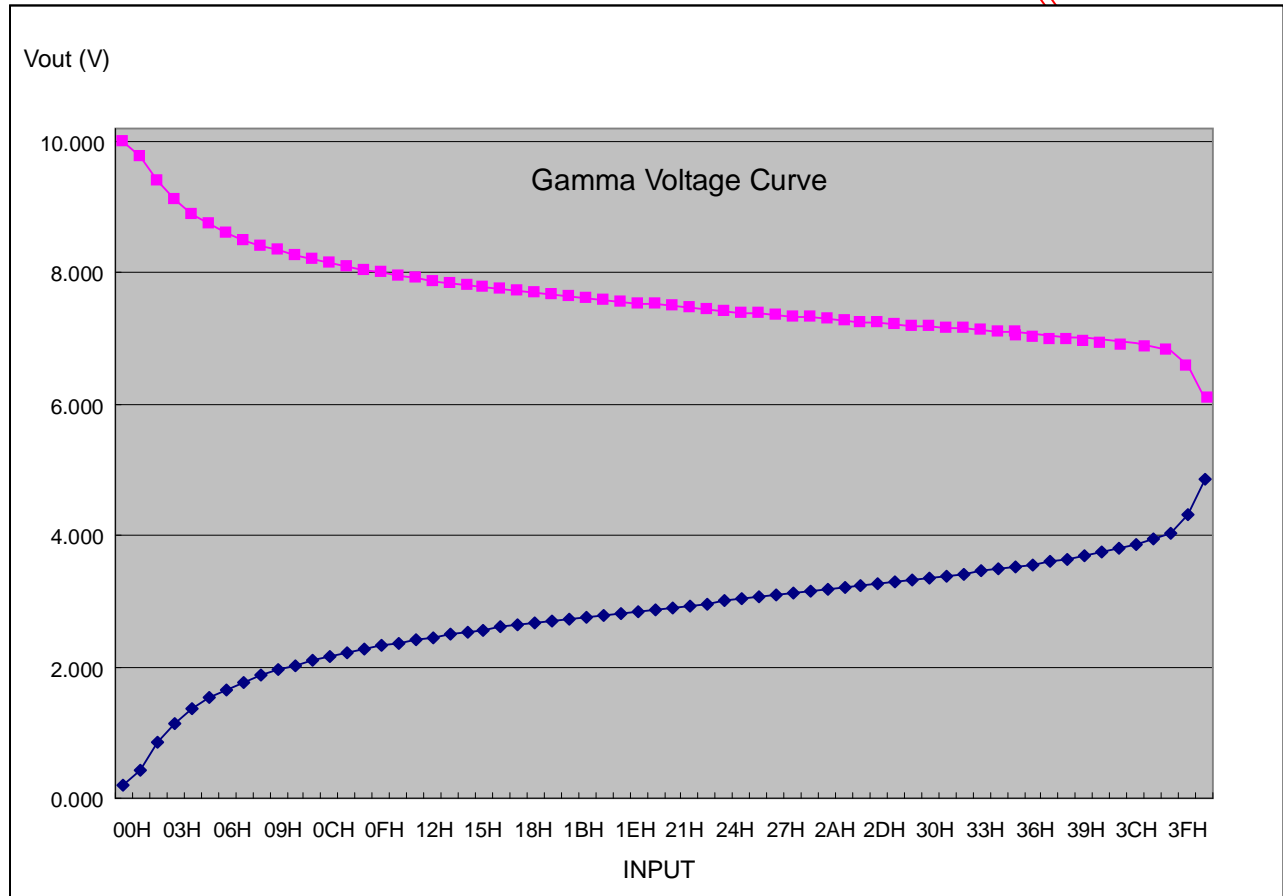
SHLR="0", left shift

Output	SO1	SO2	SO3	---	SO1198	SO1199	SO1200
Order	Last data			←	First data		
Odd Line/Gn	D07~D00	D27~D20	D17~D10	---	D07~D00	D27~D20	D17~D10
Odd Line/Gn+1	D17~D10	D07~D00	D27~D20	---	D17~D10	D07~D00	D27~D20
Even Line/Gn	D17~D10	D07~D00	D27~D20	---	D17~D10	D07~D00	D27~D20
Even Line/Gn+1	D27~D20	D17~D10	D07~D00	---	D27~D20	D17~D10	D07~D00

### 5.3. Input Data VS Output Voltage

The figure below shows the relationship between the input data and the output voltage. Refer to the following pages for the relative resistor values and voltage calculation method.

Gamma Tables vary for each customer.



**Remark:** AVDD-0.1 > V1 > V2 > V3 > V4 > V5 > V6 > V7; V8 > V9 > V10 > V11 > V12 > V13 > V14 > AVSS+0.1V

### 5.4. Input Data and Output Voltage Reference Table

Input Data and Output Voltage Reference Table

Asy-Gamma @AVDD=10.4V					
Level	V+	V-	Level	V+	V-
0	9.99544	0.19544	32	7.62801	2.96276
1	9.74167	0.46609	33	7.6064	2.99432
2	9.38791	0.84598	34	7.58521	3.02776
3	9.14826	1.10631	35	7.56694	3.05722
4	8.959	1.31459	36	7.54802	3.0877
5	8.81096	1.47967	37	7.52618	3.11692
6	8.69215	1.61326	38	7.50274	3.14577
7	8.59155	1.7279	39	7.48152	3.17187
8	8.50539	1.82725	40	7.46153	3.20067
9	8.42879	1.91694	41	7.44259	3.23201
10	8.3584	1.99876	42	7.43079	3.27186
11	8.30101	2.06792	43	7.41956	3.30901
12	8.24502	2.13436	44	7.40122	3.34041
13	8.19379	2.19625	45	7.38502	3.37533
14	8.14825	2.252	46	7.36578	3.4085
15	8.10377	2.30712	47	7.34928	3.44419
16	8.0645	2.35712	48	7.32513	3.4736
17	8.02666	2.40518	49	7.30037	3.50375
18	7.98939	2.45231	50	7.28065	3.54065
19	7.95731	2.49381	51	7.26167	3.58033
20	7.92413	2.53902	52	7.24646	3.62519
21	7.89613	2.58001	53	7.22793	3.66813
22	7.86902	2.61944	54	7.21236	3.72165
23	7.8407	2.66138	55	7.19252	3.77243
24	7.81479	2.69689	56	7.17277	3.82699
25	7.78911	2.73111	57	7.15248	3.89333
26	7.76239	2.76723	58	7.1318	3.96111
27	7.73804	2.80206	59	7.10615	4.04641
28	7.716	2.83394	60	7.07255	4.13526
29	7.69307	2.8673	61	7.01529	4.24283
30	7.6691	2.90199	62	6.9063	4.39937
31	7.64845	2.93198	63	6.28445	5.08445

***fitipower***

**EK79713CA**

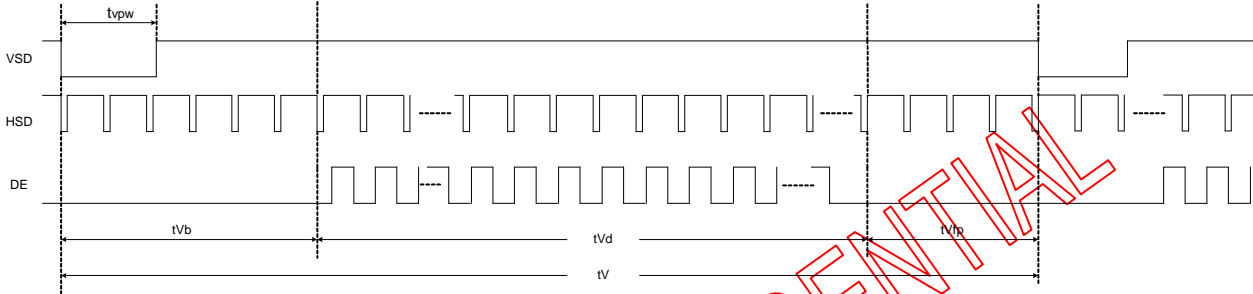
---

**Note:** Gamma Tables Vary for each customer.

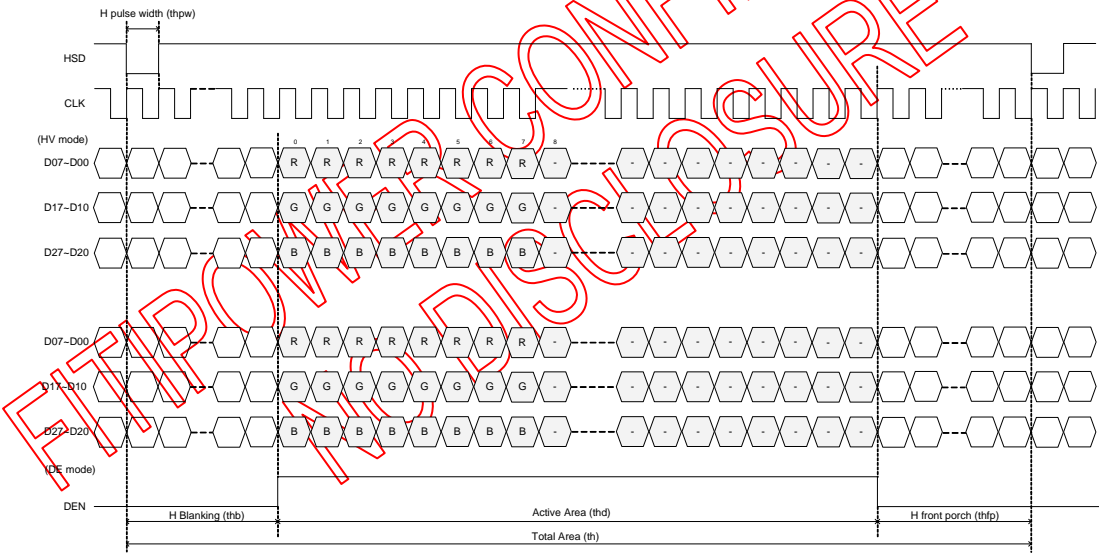
FITIPOWER CONFIDENTIAL  
NO DISCLOSURE



### 5.5. Data Input Format



Vertical input timing



Horizontal input timing

# fitipower

## EK79713CA

### 5.6. Timing Characteristic

#### 5.6.1. For 800 × 480 panel

Horizontal input timing

Parameter		Symbol	Value			Unit
Horizontal display area		thd	800			DCLK
DCLK frequency		fclk	Min.	Typ.	Max	MHz
			-	33.3	50	
1 Horizontal Line		th	862	1056	1200	DCLK
HSD pulse width	Min.	thpw	1			
	Typ.		-			
	Max.		40			
HSD Back Porch (Blanking)		thb	46	46	46	
HSD Front Porch		thfp	16	210	354	

Vertical input timing

Parameter	Symbol	Min.	Typ.	Max.	Unit
Vertical display area	tvd	480			H
VSD period time	tv	510	525	650	H
VSD pulse width	tvpw	1	-	20	H
VSD Back Porch (Blanking)	tvb	23	23	23	H
VSD Front Porch	tvfp	7	22	147	H

#### 5.6.2. For 800 × 600 panel

Horizontal input timing

Parameter		Symbol	Value			Unit
Horizontal display area		thd	800			DCLK
DCLK frequency		fclk	Min.	Typ.	Max	MHz
			-	40	50	
1 Horizontal Line		th	862	1056	1200	DCLK
HSD pulse width	Min.	thpw	1			
	Typ.		-			
	Max.		40			
HSD Back Porch (Blanking)		thb	46	46	46	
HSD Front Porch		thfp	16	210	354	

Vertical input timing

Parameter	Symbol	Min.	Typ.	Max.	Unit
Vertical display area	tvd	600			H
VSD period time	tv	624	635	700	H
VSD pulse width	tvpw	1	-	20	H
VSD Back Porch (Blanking)	tvb	23	23	23	H
VSD Front Porch	tvfp	1	12	77	H

FITIPOWER CONFIDENTIAL  
NO DISCLOSURE

### 6. ELECTRICAL SPECIFICATION

#### 6.1. Absolute Maximum Ratings

VOLTAGE (TA = 25°C, GND = AVSS = 0V)

	Min.	Max.	Unit
Digital Supply Voltage, VDD	-0.5	+5.0	V
Analog Supply Voltage, AVDD, V1-V14	-0.5	+15.0	V

TEMPERATURE

	Min.	Max.	Unit
Operating temperature	-20	+85	°C
Storage temperature	-55	+125	°C

#### Comments

Stresses above those listed under "Absolute Maximum Ratings" may cause permanent damage to the device. These are stress ratings only. Functional operation of this device at these or any other conditions above those indicated in the operational sections of this specification is not implied and exposed to absolute maximum rating conditions for extended periods may affect device reliability.

#### 6.2. Recommended Operating Range

Recommended Operating Range (TA = -20 to 85°C, GND = AVSS = 0V)

Parameter	Symbol	Min.	Typ.	Max.	Unit
Digital supply voltage	VDD	1.8	3.3	3.6	V
Analog supply voltage	AVDD	6.5	-	13.5	V
Digital input voltage	VIN	0	-	VDD	V

### 6.3. DC Characteristics

#### DC Characteristics

(TA = -20 to 85°C, VDD = 1.8 to 3.6V, AVDD = 6.5 to 13.5V, GND = AVSS = 0V)

Parameter	Symbol	Condition	Min.	Typ.	Max.	Unit
Low level input voltage	Vil	For the digital circuit	0	-	0.3×VDD	V
High level input voltage	Vih	For the digital circuit	0.7×VDD	-	VDD	V
Input leakage current	Ii	For the digital circuit	-	-	±1	μA
High level output voltage	Voh	Ioh= -400 μA	VDD-0.4	-	-	V
Low level output voltage	Vol	Iol= +400 μA	-	-	GND+0.4	V
Pull low/high resistor	Ri	For the digital input pin @ VDD=3.3V	150K	250K	350K	ohm
Digital Operation current	Idd	Fclk=40 MHz, FLD=37.88KHz, VDD=3.3V	-	8	10	mA
Digital Stand-by current	Ist1	Clock and all functions are stopped	-	10	50	μA
Analog Operating Current	Idda	No load, Fclk=40MHz, FLD=37.88KHz @ AVDD=10V, V1=8V, V14=0.4V	-	10	12	mA
Analog Stand-by current	Ist2	No load, Clock and all functions are stopped	-	10	50	μA
Input level of V1 ~ V7	Vref1	Gamma correction voltage input	0.4*AVDD	-	AVDD-0.1	V
Input level of V8 ~ V14	Vref2	Gamma correction voltage input	0.1	-	0.6*AVDD	V
Output Voltage deviation	Vod1	Vo = AVSS+0.1V ~ AVSS+0.5V and Vo = AVDD-0.5V ~ AVDD-0.1V	-	±20	±35	mV
Output Voltage deviation	Vod2	Vo = AVSS+0.5V ~ AVDD-0.5V	-	±15	±20	mV
Output Voltage Offset between Chips	Voc	Vo = AVSS+0.5V ~ AVDD-0.5V	-	-	±20	mV
Dynamic Range of Output	Vdr	SO1 ~ SO1200	0.1	-	AVDD-0.1	V
Sinking Current of Outputs	IOLy	SO1 ~ SO1200; Vo=0.1V v.s 1.0V, AVDD=13.5V	80	-	-	uA
Driving Current of Outputs	IOHy	SO1 ~ SO1200; Vo=13.4V v.s 12.5V, AVDD=13.5V	80	-	-	uA
Resistance of Gamma Table	Rg	Rn: Internal gamma resistor	0.7*Rn	1.0*Rn	1.3*Rn	ohm

# fitipower

## EK79713CA

### 6.4. AC Characteristics

AC Characteristics

(TA = -20 to 85°C, VDD = 1.8 to 3.6V, AVDD = 6.5 to 13.5V, GND = AVSS = 0V)

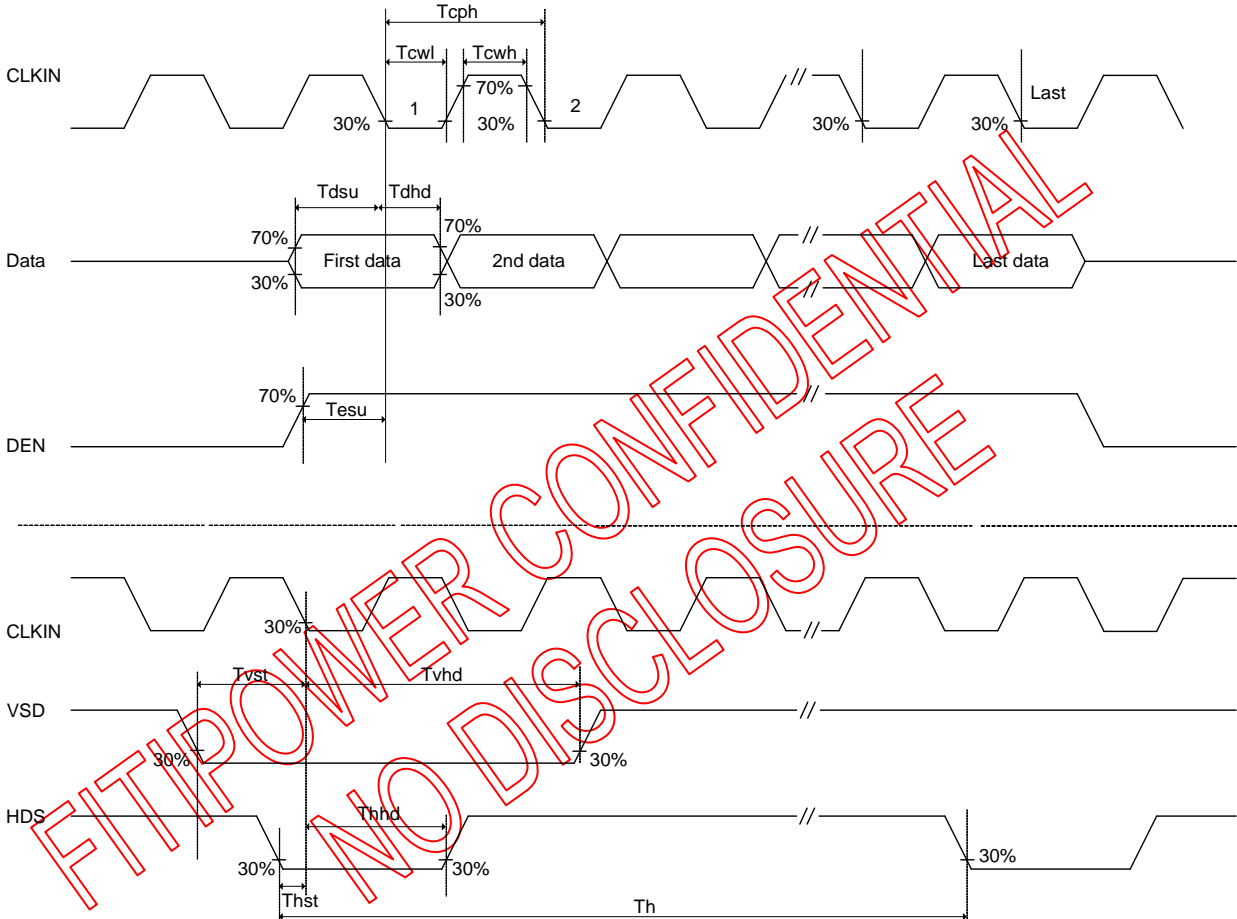
Parameter	Symbol	Condition	Min.	Typ.	Max.	Unit
VDD Power On Slew rate	TPOR	From 0V to 90% VDD	-	-	20	ms
RSTB pulse width	TRST	CLKIN = 40MHz	1	-	-	ms
CLKIN cycle time	Tcph	-	20	-	-	ns
CLKIN pulse duty	Tcwh	-	40	50	60	%
VSD setup time	Tvst	-	8	-	-	ns
VSD hold time	Tvhd	-	8	-	-	ns
HSD setup time	Thst	-	8	-	-	ns
HSD hold time	Thhd	-	8	-	-	ns
Data set-up time	Tdsu	D0[7:0], D1[7:0], D2[7:0] to CLKIN	8	-	-	ns
Data hold time	Tdhd	D0[7:0], D1[7:0], D2[7:0] to CLKIN	8	-	-	ns
DEN setup time	Tesu	-	8	-	-	ns
DEN hold time	Tehd	-	8	-	-	ns
Output stable time	Tsst	10% to 90% target voltage. CL=120pF, R=10K ohm	-	-	6	us

### 6.5. Timing Table

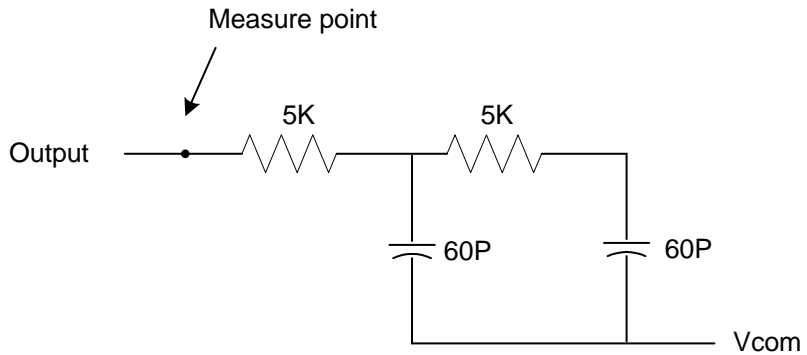
Parallel 24-bit RGB Mode

Parameter	Symbol	Condition	Min.	Typ.	Max.	Unit
CLKIN Frequency	Fclk	VDD = 1.8V ~3.6V	-	33.3	50	MHz
CLKIN Cycle Time	Tclk	-	20	30	-	ns
CLKIN Pulse Duty	Tcwh	Tclk= Tcwh + cwl	40	50	60	%
	Tcwl		40	50	-60	%
VSD to STV	Tstv	HV mode	-	24	-	H
DEN to STV	Tstv	DE mode	-	4	-	CLKIN
STV pulse width	Twstv	-	-	0.5	-	H
STV to CKV	Tckv	-	-	18	-	CLKIN
STV to OEV	Toev	-	-	2	-	CLKIN
CKV Pulse Width	Twckv	-	-	66	-	CLKIN
OEV Pulse Width	Twoev	-	-	50	-	CLKIN

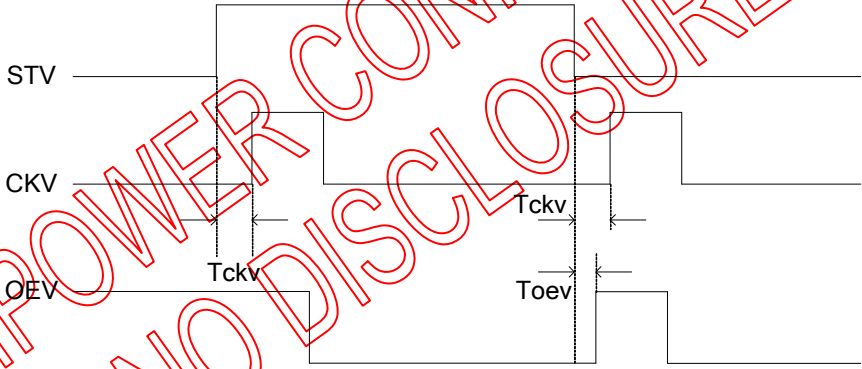
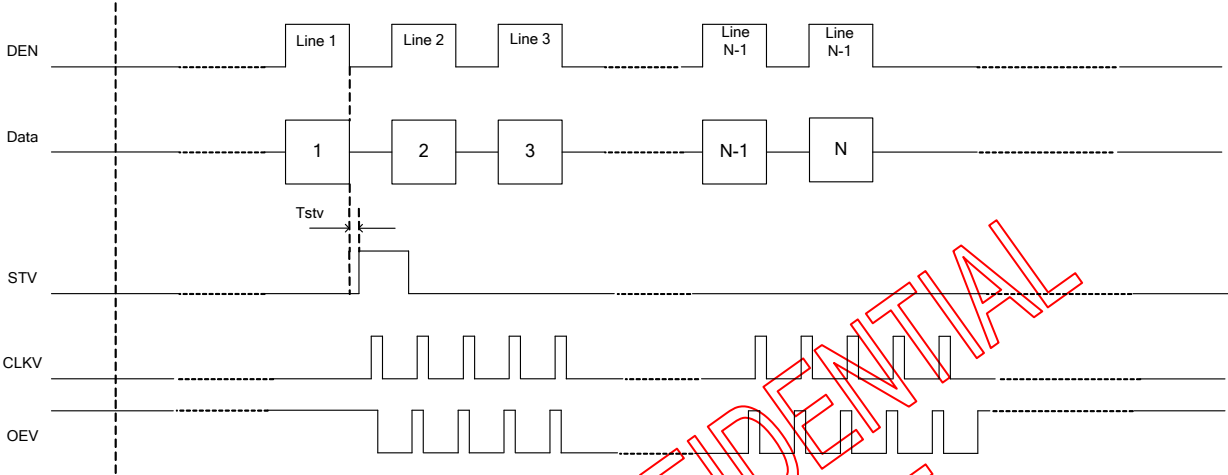
### 6.6. Timing Waveform



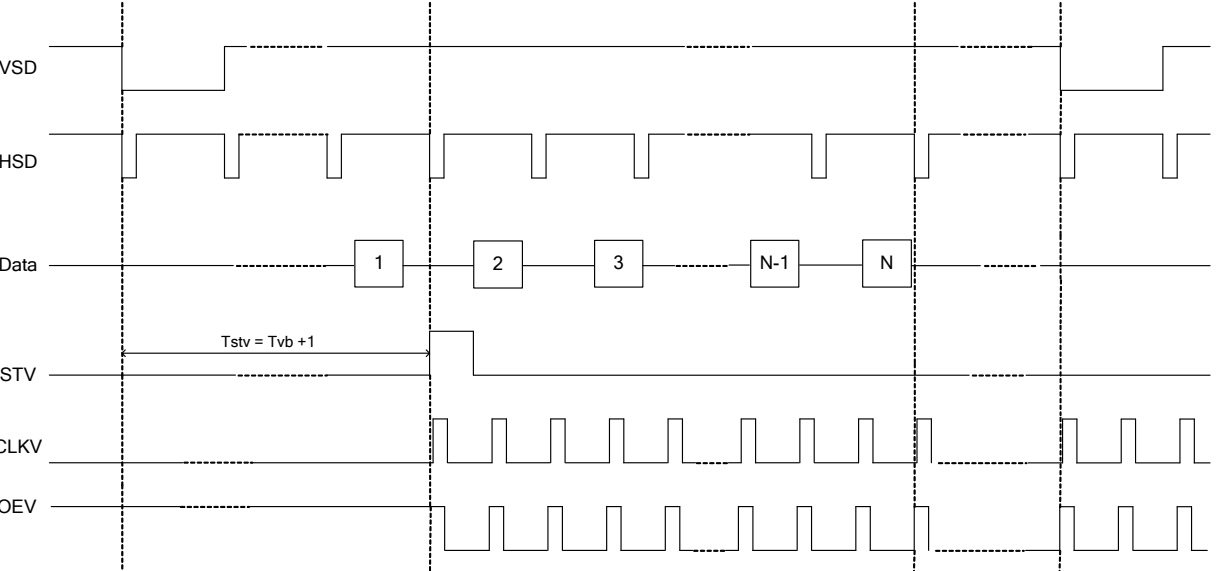
Input Clock and Data Timing Diagram



Output load condition



Vertical Timing Diagram DE





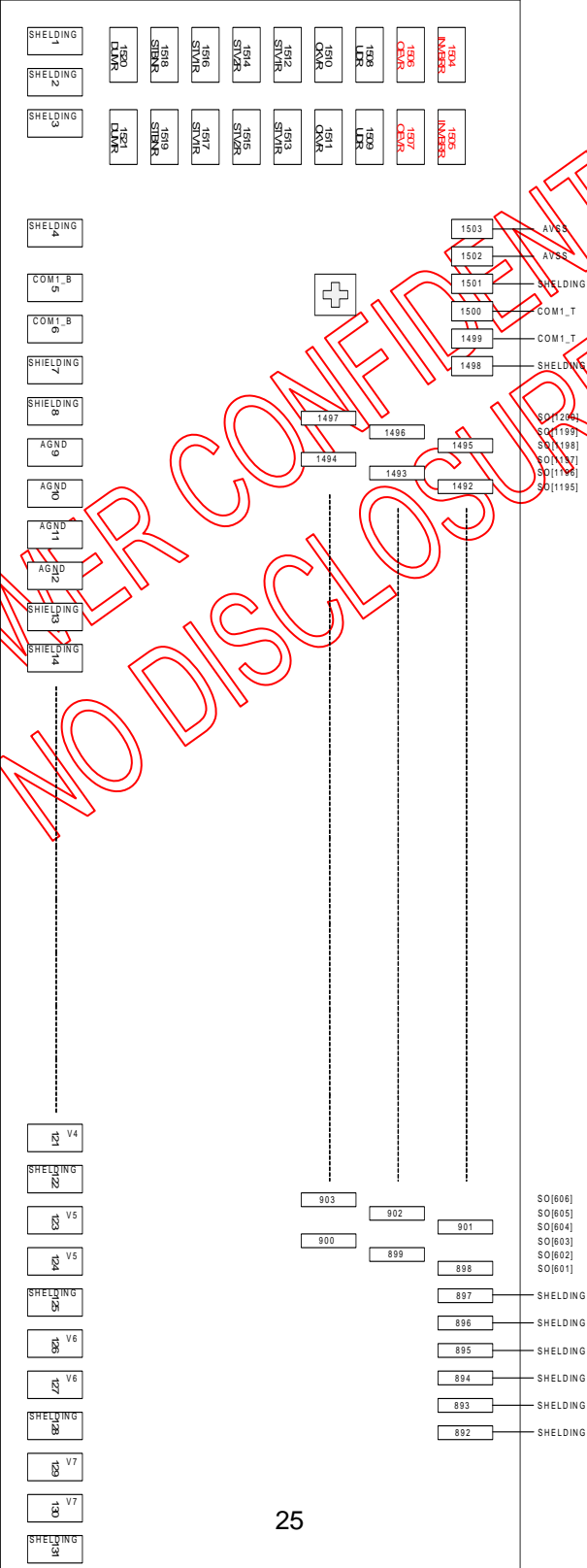
FITIPOWER CONFIDENTIAL  
NO DISCLOSURE

# fitipower

## EK79713CA

### 7. PAD DIAGRAM

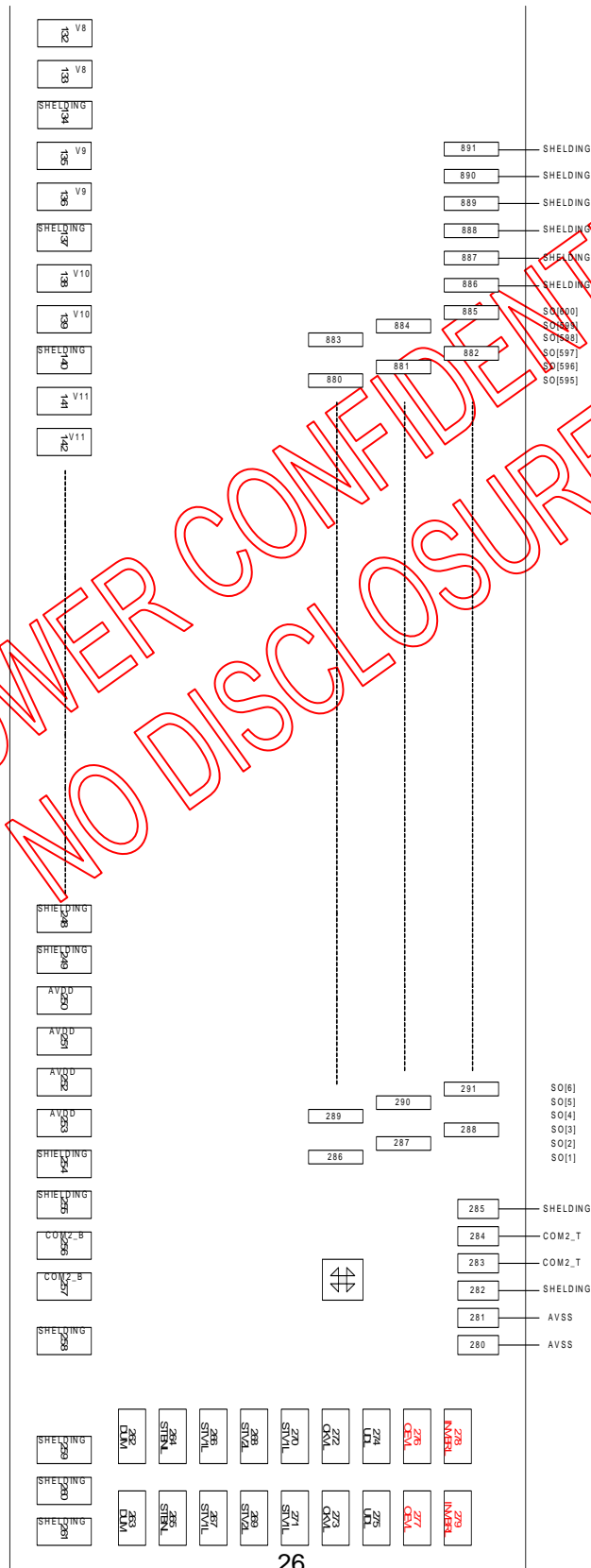
Chip Size: 22557um x 952um (Include Scribe Line)



# fitipower

## EK79713CA

FITIPOWER CONFIDENTIAL  
NO DISCLOSURE



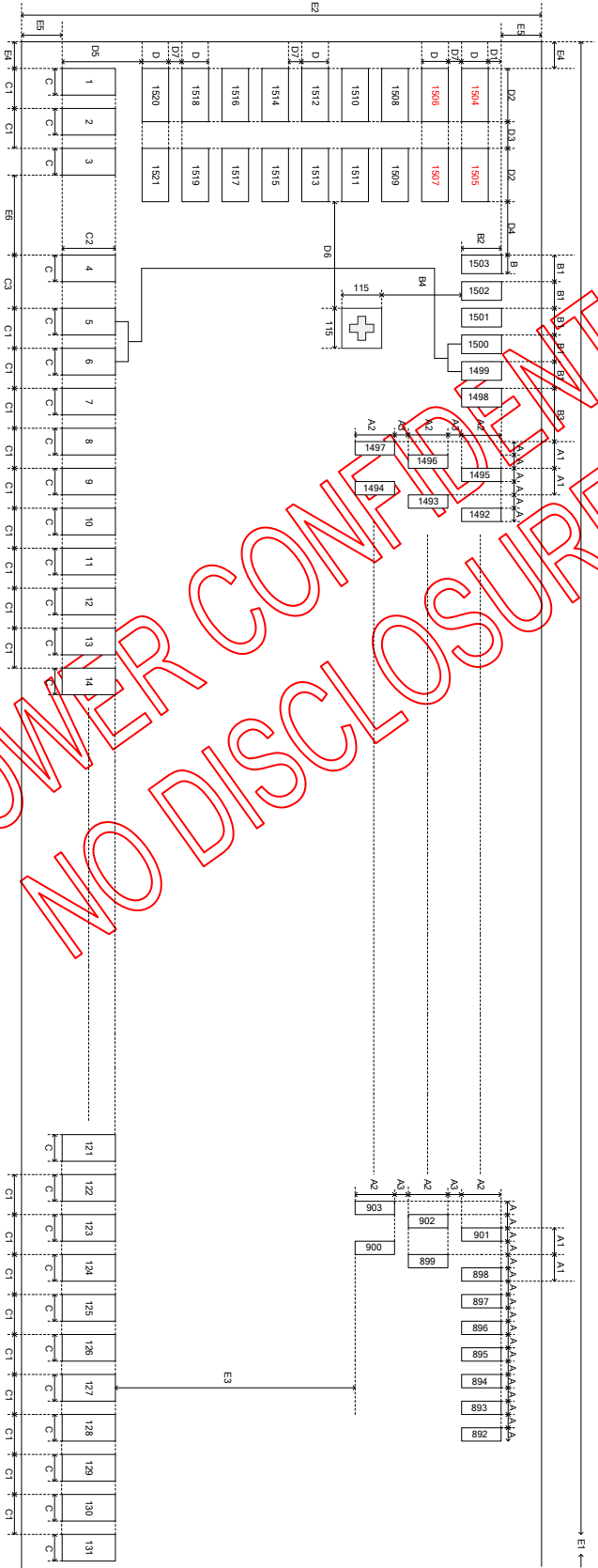
FITIPOWER CONFIDENTIAL  
NO DISCLOSURE

FITIPOWER CONFIDENTIAL  
NO DISCLOSURE

# fitipower

## EK79713CA

FITIPOWER CONFIDENTIAL  
NO DISCLOSURE

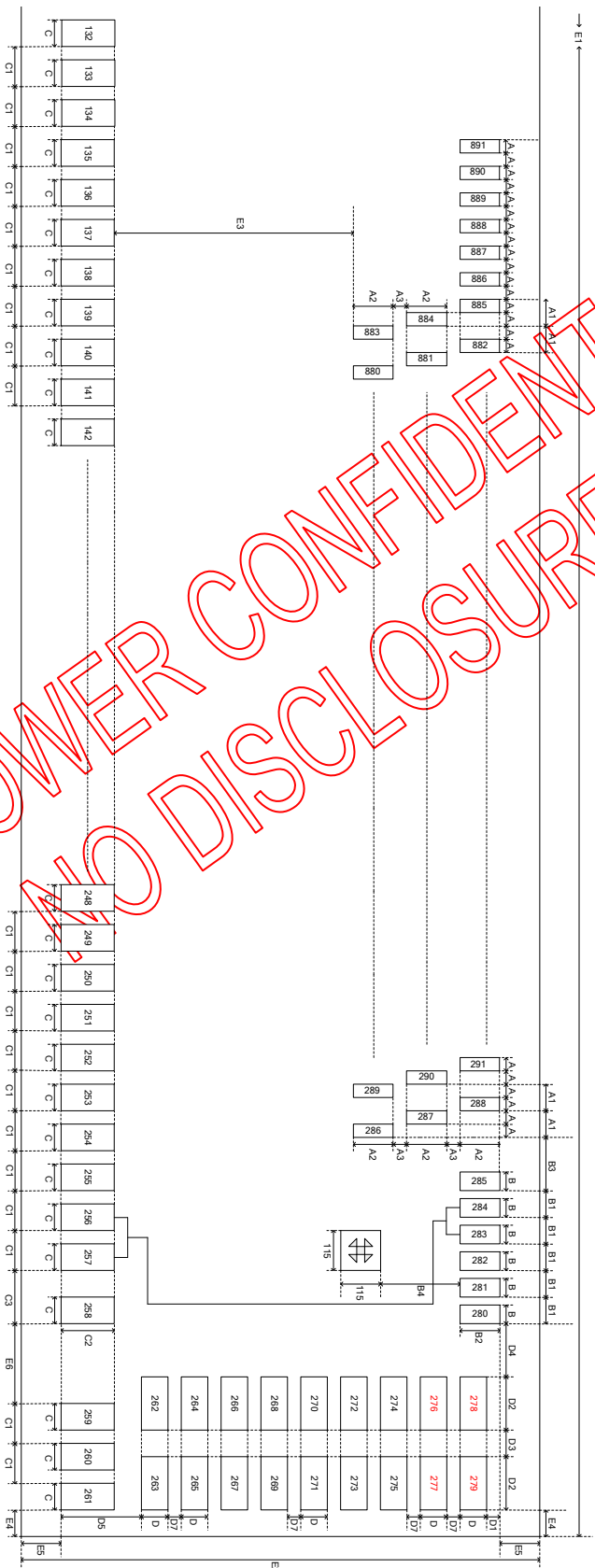


FITIPOWER CONFIDENTIAL  
NO DISCLOSURE

# fitipower

## EK79713CA

FITIPOWER CONFIDENTIAL  
NO DISCLOSURE



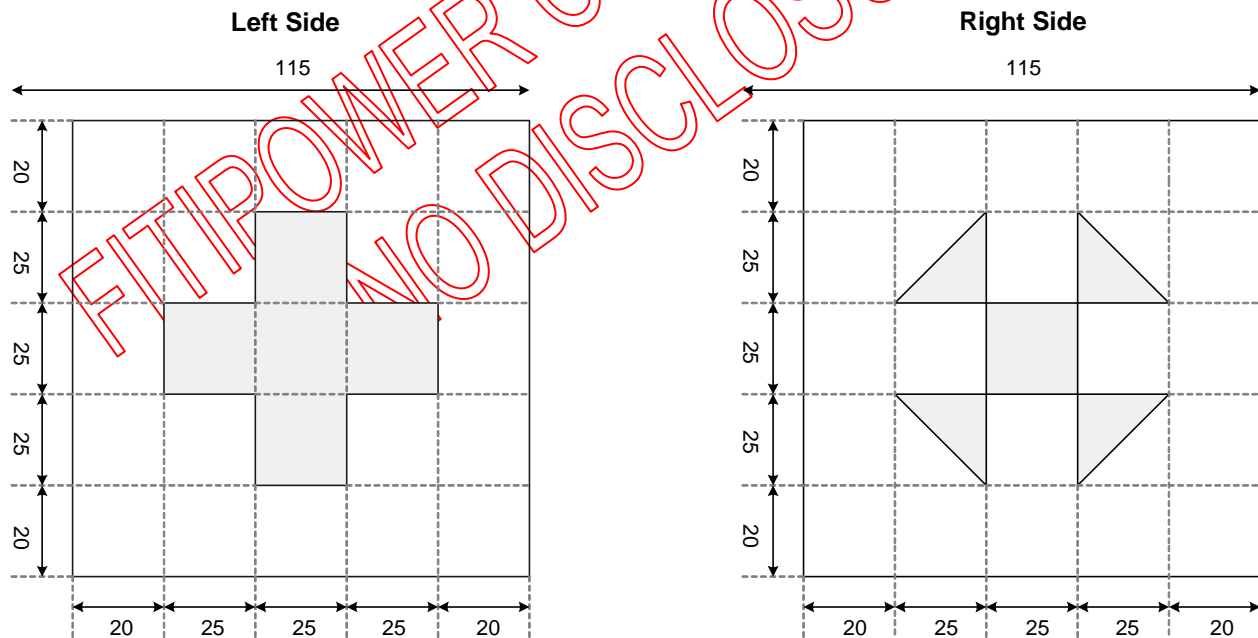


FITIPOWER CONFIDENTIAL  
NO DISCLOSURE

Symbol	Dimensions in um
A	14
A1	31
A2	65
A3	62.5
B	30
B1	50
B2	45
B3	50
B4	191.5
C	40
C1	85
C2	60
C3	115
D	26

Symbol	Dimensions in um
D1	17
D2	50
D3	80
D4	95.8
D5	170.5
D6	191.29
D7	54
E1	22557
E2	952
E3	451
E4	64.24
E5	50.5
E6	161.46

### 7.2. ALIGNMENT MARK DIMENSION (unit: um)



# fitipower

## EK79713CA

### 7.3. PAD COORDINATES(without Bump shift)

PAD No.	PAD Name	X-axis	Y-axis	W	H
1	SHIELDING	-11196.5	-395.5	40	60
2	SHIELDING	-11111.5	-395.5	40	60
3	SHIELDING	-11026.5	-395.5	40	60
4	SHIELDING	-10825	-395.5	40	60
5	COM1_B	-10710	-395.5	40	60
6	COM1_B	-10625	-395.5	40	60
7	SHIELDING	-10540	-395.5	40	60
8	SHIELDING	-10455	-395.5	40	60
9	AVSS	-10370	-395.5	40	60
10	AVSS	-10285	-395.5	40	60
11	AVSS	-10200	-395.5	40	60
12	AVSS	-10115	-395.5	40	60
13	SHIELDING	-10030	-395.5	40	60
14	SHIELDING	-9945	-395.5	40	60
15	SHIELDING	-9860	-395.5	40	60
16	SHIELDING	-9775	-395.5	40	60
17	SHIELDING	-9690	-395.5	40	60
18	SHIELDING	-9605	-395.5	40	60
19	TP0	-9520	-395.5	40	60
20	TP0	-9435	-395.5	40	60
21	TP1	-9350	-395.5	40	60
22	TP1	-9265	-395.5	40	60
23	TP2	-9180	-395.5	40	60
24	TP2	-9095	-395.5	40	60
25	TP3	-9010	-395.5	40	60
26	TP3	-8925	-395.5	40	60
27	TP4	-8840	-395.5	40	60
28	TP4	-8755	-395.5	40	60
29	TP5	-8670	-395.5	40	60
30	TP5	-8585	-395.5	40	60
31	SHIELDING	-8500	-395.5	40	60
32	TB0	-8415	-395.5	40	60
33	TB0	-8330	-395.5	40	60
34	SHIELDING	-8245	-395.5	40	60
35	TB1	-8160	-395.5	40	60
36	TB1	-8075	-395.5	40	60
37	SHIELDING	-7990	-395.5	40	60
38	SHIELDING	-7905	-395.5	40	60
39	SHIELDING	-7820	-395.5	40	60
40	SHIELDING	-7735	-395.5	40	60
41	TB2	-7650	-395.5	40	60
42	TB2	-7565	-395.5	40	60
43	SHIELDING	-7480	-395.5	40	60
44	TB3	-7395	-395.5	40	60
45	TB3	-7310	-395.5	40	60
46	SHIELDING	-7225	-395.5	40	60
47	TB4	-7140	-395.5	40	60
48	TB4	-7055	-395.5	40	60
49	SHIELDING	-6970	-395.5	40	60
50	SHIELDING	-6885	-395.5	40	60
51	GOSEQ	-6800	-395.5	40	60
52	GOSEQ	-6715	-395.5	40	60
53	SHIELDING	-6630	-395.5	40	60
54	BIST	-6545	-395.5	40	60
55	BIST	-6460	-395.5	40	60
56	SHIELDING	-6375	-395.5	40	60
57	RES0	-6290	-395.5	40	60
58	RES0	-6205	-395.5	40	60

PAD No.	PAD Name	X-axis	Y-axis	W	H
61	CFSEL	-5950	-395.5	40	60
62	SHIELDING	-5865	-395.5	40	60
63	CLKPOL	-5780	-395.5	40	60
64	CLKPOL	-5695	-395.5	40	60
65	SHIELDING	-5610	-395.5	40	60
66	DITHB	-5525	-395.5	40	60
67	DITHB	-5440	-395.5	40	60
68	SHIELDING	-5355	-395.5	40	60
69	MODE	-5270	-395.5	40	60
70	MODE	-5185	-395.5	40	60
71	SHIELDING	-5100	-395.5	40	60
72	SHLR	-5015	-395.5	40	60
73	SHLR	-4930	-395.5	40	60
74	SHIELDING	-4845	-395.5	40	60
75	UPDN	-4760	-395.5	40	60
76	UPDN	-4675	-395.5	40	60
77	SHIELDING	-4590	-395.5	40	60
78	STBYB	-4505	-395.5	40	60
79	STBYB	-4420	-395.5	40	60
80	SHIELDING	-4335	-395.5	40	60
81	RSTB	-4250	-395.5	40	60
82	RSTB	-4165	-395.5	40	60
83	SHIELDING	-4080	-395.5	40	60
84	BLKEN	-3995	-395.5	40	60
85	BLKEN	-3910	-395.5	40	60
86	SHIELDING	-3825	-395.5	40	60
87	VSET	-3740	-395.5	40	60
88	VSET	-3655	-395.5	40	60
89	TP6	-3570	-395.5	40	60
90	TP7	-3485	-395.5	40	60
91	TP8	-3400	-395.5	40	60
92	TP9	-3315	-395.5	40	60
93	TP10	-3230	-395.5	40	60
94	TP11	-3145	-395.5	40	60
95	TP12	-3060	-395.5	40	60
96	TP13	-2975	-395.5	40	60
97	TP14	-2890	-395.5	40	60
98	TP15	-2805	-395.5	40	60
99	TP16	-2720	-395.5	40	60
100	TP17	-2635	-395.5	40	60
101	SHIELDING	-2550	-395.5	40	60
102	AVDD	-2465	-395.5	40	60
103	AVDD	-2380	-395.5	40	60
104	AVDD	-2295	-395.5	40	60
105	AVDD	-2210	-395.5	40	60
106	AVDD	-2125	-395.5	40	60
107	AVDD	-2040	-395.5	40	60
108	AVDD	-1955	-395.5	40	60
109	AVDD	-1870	-395.5	40	60
110	SHIELDING	-1785	-395.5	40	60
111	V1	-1700	-395.5	40	60
112	V1	-1615	-395.5	40	60
113	SHIELDING	-1530	-395.5	40	60
114	V2	-1445	-395.5	40	60
115	V2	-1360	-395.5	40	60
116	SHIELDING	-1275	-395.5	40	60
117	V3	-1190	-395.5	40	60
118	V3	-1105	-395.5	40	60

# fitipower

## EK79713CA

59	SHIELDING	-6120	-395.5	40	60
60	CFSEL	-6035	-395.5	40	60

119	SHIELDING	-1020	-395.5	40	60
120	V4	-935	-395.5	40	60

PAD No.	PAD Name	X-axis	Y-axis	W	H
121	V4	-850	-395.5	40	60
122	SHIELDING	-765	-395.5	40	60
123	V5	-680	-395.5	40	60
124	V5	-595	-395.5	40	60
125	SHIELDING	-510	-395.5	40	60
126	V6	-425	-395.5	40	60
127	V6	-340	-395.5	40	60
128	SHIELDING	-255	-395.5	40	60
129	V7	-170	-395.5	40	60
130	V7	-85	-395.5	40	60
131	SHIELDING	0	-395.5	40	60
132	V8	85	-395.5	40	60
133	V8	170	-395.5	40	60
134	SHIELDING	255	-395.5	40	60
135	V9	340	-395.5	40	60
136	V9	425	-395.5	40	60
137	SHIELDING	510	-395.5	40	60
138	V10	595	-395.5	40	60
139	V10	680	-395.5	40	60
140	SHIELDING	765	-395.5	40	60
141	V11	850	-395.5	40	60
142	V11	935	-395.5	40	60
143	SHIELDING	1020	-395.5	40	60
144	V12	1105	-395.5	40	60
145	V12	1190	-395.5	40	60
146	SHIELDING	1275	-395.5	40	60
147	V13	1360	-395.5	40	60
148	V13	1445	-395.5	40	60
149	SHIELDING	1530	-395.5	40	60
150	V14	1615	-395.5	40	60
151	V14	1700	-395.5	40	60
152	SHIELDING	1785	-395.5	40	60
153	AVSS	1870	-395.5	40	60
154	AVSS	1955	-395.5	40	60
155	AVSS	2040	-395.5	40	60
156	AVSS	2125	-395.5	40	60
157	AVSS	2210	-395.5	40	60
158	AVSS	2295	-395.5	40	60
159	AVSS	2380	-395.5	40	60
160	AVSS	2465	-395.5	40	60
161	SHIELDING	2550	-395.5	40	60
162	SHIELDING	2635	-395.5	40	60
163	VSS	2720	-395.5	40	60
164	VSS	2805	-395.5	40	60
165	VSS	2890	-395.5	40	60
166	VSS	2975	-395.5	40	60
167	SHIELDING	3060	-395.5	40	60
168	SHIELDING	3145	-395.5	40	60
169	VDD	3230	-395.5	40	60
170	VDD	3315	-395.5	40	60
171	VDD	3400	-395.5	40	60
172	VDD	3485	-395.5	40	60
173	DASHD	3570	-395.5	40	60
174	VSD	3655	-395.5	40	60
175	VSD	3740	-395.5	40	60
176	DASHD	3825	-395.5	40	60
177	HSD	3910	-395.5	40	60
178	HSD	3995	-395.5	40	60

PAD No.	PAD Name	X-axis	Y-axis	W	H
181	DEN	4250	-395.5	40	60
182	DASHD	4335	-395.5	40	60
183	CLKIN	4420	-395.5	40	60
184	CLKIN	4505	-395.5	40	60
185	DASHD	4590	-395.5	40	60
186	D27	4675	-395.5	40	60
187	D27	4760	-395.5	40	60
188	D26	4845	-395.5	40	60
189	D26	4930	-395.5	40	60
190	DASHD	5015	-395.5	40	60
191	D25	5100	-395.5	40	60
192	D25	5185	-395.5	40	60
193	D24	5270	-395.5	40	60
194	D24	5355	-395.5	40	60
195	DASHD	5440	-395.5	40	60
196	D23	5525	-395.5	40	60
197	D23	5610	-395.5	40	60
198	D22	5695	-395.5	40	60
199	D22	5780	-395.5	40	60
200	DASHD	5865	-395.5	40	60
201	D21	5950	-395.5	40	60
202	D21	6035	-395.5	40	60
203	D20	6120	-395.5	40	60
204	D20	6205	-395.5	40	60
205	DASHD	6290	-395.5	40	60
206	D17	6375	-395.5	40	60
207	D17	6460	-395.5	40	60
208	D16	6545	-395.5	40	60
209	D16	6630	-395.5	40	60
210	DASHD	6715	-395.5	40	60
211	D15	6800	-395.5	40	60
212	D15	6885	-395.5	40	60
213	D14	6970	-395.5	40	60
214	D14	7055	-395.5	40	60
215	DASHD	7140	-395.5	40	60
216	D13	7225	-395.5	40	60
217	D13	7310	-395.5	40	60
218	D12	7395	-395.5	40	60
219	D12	7480	-395.5	40	60
220	DASHD	7565	-395.5	40	60
221	D11	7650	-395.5	40	60
222	D11	7735	-395.5	40	60
223	D10	7820	-395.5	40	60
224	D10	7905	-395.5	40	60
225	DASHD	7990	-395.5	40	60
226	D07	8075	-395.5	40	60
227	D07	8160	-395.5	40	60
228	D06	8245	-395.5	40	60
229	D06	8330	-395.5	40	60
230	DASHD	8415	-395.5	40	60
231	D05	8500	-395.5	40	60
232	D05	8585	-395.5	40	60
233	D04	8670	-395.5	40	60
234	D04	8755	-395.5	40	60
235	DASHD	8840	-395.5	40	60
236	D03	8925	-395.5	40	60
237	D03	9010	-395.5	40	60
238	D02	9095	-395.5	40	60

# fitipower

## EK79713CA

179	DASHD	4080	-395.5	40	60
180	DEN	4165	-395.5	40	60

239	D02	9180	-395.5	40	60
240	DASHD	9265	-395.5	40	60

PAD No.	PAD Name	X-axis	Y-axis	W	H
241	D01	9350	-395.5	40	60
242	D01	9435	-395.5	40	60
243	D00	9520	-395.5	40	60
244	D00	9605	-395.5	40	60
245	DASHD	9690	-395.5	40	60
246	SHIELDING	9775	-395.5	40	60
247	SHIELDING	9860	-395.5	40	60
248	SHIELDING	9945	-395.5	40	60
249	SHIELDING	10030	-395.5	40	60
250	AVDD	10115	-395.5	40	60
251	AVDD	10200	-395.5	40	60
252	AVDD	10285	-395.5	40	60
253	AVDD	10370	-395.5	40	60
254	SHIELDING	10455	-395.5	40	60
255	SHIELDING	10540	-395.5	40	60
256	COM2_B	10625	-395.5	40	60
257	COM2_B	10710	-395.5	40	60
258	SHIELDING	10825	-395.5	40	60
259	SHIELDING	11026.5	-395.5	40	60
260	SHIELDING	11111.5	-395.5	40	60
261	SHIELDING	11196.5	-395.5	40	60
262	DUM	11049	-242	50	26
263	DUM	11179	-242	50	26
264	STBNL	11049	-162	50	26
265	STBNL	11179	-162	50	26
266	STV1L	11049	-82	50	26
267	STV1L	11179	-82	50	26
268	STV2L	11049	-2	50	26
269	STV2L	11179	-2	50	26
270	STV1L	11049	78	50	26
271	STV1L	11179	78	50	26
272	CKVL	11049	158	50	26
273	CKVL	11179	158	50	26
274	UDL	11049	238	50	26
275	UDL	11179	238	50	26
276	OEVL	11049	318	50	26
277	OEVL	11179	318	50	26
278	INVBRL	11049	398	50	26
279	INVBRL	11179	398	50	26
280	AVSS	10914	405.5	30	45
281	AVSS	10864	405.5	30	45
282	SHIELDING	10814	405.5	30	45
283	COM2_T	10764	405.5	30	45
284	COM2_T	10714	405.5	30	45
285	SHIELDING	10664	405.5	30	45
286	SO[1]	10620.5	118	14	65
287	SO[2]	10603.5	258	14	65
288	SO[3]	10586.5	385.5	14	65
289	SO[4]	10569.5	118	14	65
290	SO[5]	10552.5	258	14	65
291	SO[6]	10535.5	385.5	14	65
292	SO[7]	10518.5	118	14	65
293	SO[8]	10501.5	258	14	65
294	SO[9]	10484.5	385.5	14	65
295	SO[10]	10467.5	118	14	65
296	SO[11]	10450.5	258	14	65

PAD No.	PAD Name	X-axis	Y-axis	W	H
301	SO[16]	10365.5	118	14	65
302	SO[17]	10348.5	258	14	65
303	SO[18]	10331.5	385.5	14	65
304	SO[19]	10314.5	118	14	65
305	SO[20]	10297.5	258	14	65
306	SO[21]	10280.5	385.5	14	65
307	SO[22]	10263.5	118	14	65
308	SO[23]	10246.5	258	14	65
309	SO[24]	10229.5	385.5	14	65
310	SO[25]	10212.5	118	14	65
311	SO[26]	10195.5	258	14	65
312	SO[27]	10178.5	385.5	14	65
313	SO[28]	10161.5	118	14	65
314	SO[29]	10144.5	258	14	65
315	SO[30]	10127.5	385.5	14	65
316	SO[31]	10110.5	118	14	65
317	SO[32]	10093.5	258	14	65
318	SO[33]	10076.5	385.5	14	65
319	SO[34]	10059.5	118	14	65
320	SO[35]	10042.5	258	14	65
321	SO[36]	10025.5	385.5	14	65
322	SO[37]	10008.5	118	14	65
323	SO[38]	9991.5	258	14	65
324	SO[39]	9974.5	385.5	14	65
325	SO[40]	9957.5	118	14	65
326	SO[41]	9940.5	258	14	65
327	SO[42]	9923.5	385.5	14	65
328	SO[43]	9906.5	118	14	65
329	SO[44]	9889.5	258	14	65
330	SO[45]	9872.5	385.5	14	65
331	SO[46]	9855.5	118	14	65
332	SO[47]	9838.5	258	14	65
333	SO[48]	9821.5	385.5	14	65
334	SO[49]	9804.5	118	14	65
335	SO[50]	9787.5	258	14	65
336	SO[51]	9770.5	385.5	14	65
337	SO[52]	9753.5	118	14	65
338	SO[53]	9736.5	258	14	65
339	SO[54]	9719.5	385.5	14	65
340	SO[55]	9702.5	118	14	65
341	SO[56]	9685.5	258	14	65
342	SO[57]	9668.5	385.5	14	65
343	SO[58]	9651.5	118	14	65
344	SO[59]	9634.5	258	14	65
345	SO[60]	9617.5	385.5	14	65
346	SO[61]	9600.5	118	14	65
347	SO[62]	9583.5	258	14	65
348	SO[63]	9566.5	385.5	14	65
349	SO[64]	9549.5	118	14	65
350	SO[65]	9532.5	258	14	65
351	SO[66]	9515.5	385.5	14	65
352	SO[67]	9498.5	118	14	65
353	SO[68]	9481.5	258	14	65
354	SO[69]	9464.5	385.5	14	65
355	SO[70]	9447.5	118	14	65
356	SO[71]	9430.5	258	14	65

# fitipower

## EK79713CA

297	SO[12]	10433.5	385.5	14	65
298	SO[13]	10416.5	118	14	65
299	SO[14]	10399.5	258	14	65
300	SO[15]	10382.5	385.5	14	65

357	SO[72]	9413.5	385.5	14	65
358	SO[73]	9396.5	118	14	65
359	SO[74]	9379.5	258	14	65
360	SO[75]	9362.5	385.5	14	65

PAD No.	PAD Name	X-axis	Y-axis	W	H
361	SO[76]	9345.5	118	14	65
362	SO[77]	9328.5	258	14	65
363	SO[78]	9311.5	385.5	14	65
364	SO[79]	9294.5	118	14	65
365	SO[80]	9277.5	258	14	65
366	SO[81]	9260.5	385.5	14	65
367	SO[82]	9243.5	118	14	65
368	SO[83]	9226.5	258	14	65
369	SO[84]	9209.5	385.5	14	65
370	SO[85]	9192.5	118	14	65
371	SO[86]	9175.5	258	14	65
372	SO[87]	9158.5	385.5	14	65
373	SO[88]	9141.5	118	14	65
374	SO[89]	9124.5	258	14	65
375	SO[90]	9107.5	385.5	14	65
376	SO[91]	9090.5	118	14	65
377	SO[92]	9073.5	258	14	65
378	SO[93]	9056.5	385.5	14	65
379	SO[94]	9039.5	118	14	65
380	SO[95]	9022.5	258	14	65
381	SO[96]	9005.5	385.5	14	65
382	SO[97]	8988.5	118	14	65
383	SO[98]	8971.5	258	14	65
384	SO[99]	8954.5	385.5	14	65
385	SO[100]	8937.5	118	14	65
386	SO[101]	8920.5	258	14	65
387	SO[102]	8903.5	385.5	14	65
388	SO[103]	8886.5	118	14	65
389	SO[104]	8869.5	258	14	65
390	SO[105]	8852.5	385.5	14	65
391	SO[106]	8835.5	118	14	65
392	SO[107]	8818.5	258	14	65
393	SO[108]	8801.5	385.5	14	65
394	SO[109]	8784.5	118	14	65
395	SO[110]	8767.5	258	14	65
396	SO[111]	8750.5	385.5	14	65
397	SO[112]	8733.5	118	14	65
398	SO[113]	8716.5	258	14	65
399	SO[114]	8699.5	385.5	14	65
400	SO[115]	8682.5	118	14	65
401	SO[116]	8665.5	258	14	65
402	SO[117]	8648.5	385.5	14	65
403	SO[118]	8631.5	118	14	65
404	SO[119]	8614.5	258	14	65
405	SO[120]	8597.5	385.5	14	65
406	SO[121]	8580.5	118	14	65
407	SO[122]	8563.5	258	14	65
408	SO[123]	8546.5	385.5	14	65
409	SO[124]	8529.5	118	14	65
410	SO[125]	8512.5	258	14	65
411	SO[126]	8495.5	385.5	14	65
412	SO[127]	8478.5	118	14	65
413	SO[128]	8461.5	258	14	65
414	SO[129]	8444.5	385.5	14	65

PAD No.	PAD Name	X-axis	Y-axis	W	H
421	SO[136]	8325.5	118	14	65
422	SO[137]	8308.5	258	14	65
423	SO[138]	8291.5	385.5	14	65
424	SO[139]	8274.5	118	14	65
425	SO[140]	8257.5	258	14	65
426	SO[141]	8240.5	385.5	14	65
427	SO[142]	8223.5	118	14	65
428	SO[143]	8206.5	258	14	65
429	SO[144]	8189.5	385.5	14	65
430	SO[145]	8172.5	118	14	65
431	SO[146]	8155.5	258	14	65
432	SO[147]	8138.5	385.5	14	65
433	SO[148]	8121.5	118	14	65
434	SO[149]	8104.5	258	14	65
435	SO[150]	8087.5	385.5	14	65
436	SO[151]	8070.5	118	14	65
437	SO[152]	8053.5	258	14	65
438	SO[153]	8036.5	385.5	14	65
439	SO[154]	8019.5	118	14	65
440	SO[155]	8002.5	258	14	65
441	SO[156]	7985.5	385.5	14	65
442	SO[157]	7968.5	118	14	65
443	SO[158]	7951.5	258	14	65
444	SO[159]	7934.5	385.5	14	65
445	SO[160]	7917.5	118	14	65
446	SO[161]	7900.5	258	14	65
447	SO[162]	7883.5	385.5	14	65
448	SO[163]	7866.5	118	14	65
449	SO[164]	7849.5	258	14	65
450	SO[165]	7832.5	385.5	14	65
451	SO[166]	7815.5	118	14	65
452	SO[167]	7798.5	258	14	65
453	SO[168]	7781.5	385.5	14	65
454	SO[169]	7764.5	118	14	65
455	SO[170]	7747.5	258	14	65
456	SO[171]	7730.5	385.5	14	65
457	SO[172]	7713.5	118	14	65
458	SO[173]	7696.5	258	14	65
459	SO[174]	7679.5	385.5	14	65
460	SO[175]	7662.5	118	14	65
461	SO[176]	7645.5	258	14	65
462	SO[177]	7628.5	385.5	14	65
463	SO[178]	7611.5	118	14	65
464	SO[179]	7594.5	258	14	65
465	SO[180]	7577.5	385.5	14	65
466	SO[181]	7560.5	118	14	65
467	SO[182]	7543.5	258	14	65
468	SO[183]	7526.5	385.5	14	65
469	SO[184]	7509.5	118	14	65
470	SO[185]	7492.5	258	14	65
471	SO[186]	7475.5	385.5	14	65
472	SO[187]	7458.5	118	14	65
473	SO[188]	7441.5	258	14	65
474	SO[189]	7424.5	385.5	14	65

# fitipower

## EK79713CA

415	SO[130]	8427.5	118	14	65
416	SO[131]	8410.5	258	14	65
417	SO[132]	8393.5	385.5	14	65
418	SO[133]	8376.5	118	14	65
419	SO[134]	8359.5	258	14	65
420	SO[135]	8342.5	385.5	14	65

475	SO[190]	7407.5	118	14	65
476	SO[191]	7390.5	258	14	65
477	SO[192]	7373.5	385.5	14	65
478	SO[193]	7356.5	118	14	65
479	SO[194]	7339.5	258	14	65
480	SO[195]	7322.5	385.5	14	65

PAD No.	PAD Name	X-axis	Y-axis	W	H
481	SO[196]	7305.5	118	14	65
482	SO[197]	7288.5	258	14	65
483	SO[198]	7271.5	385.5	14	65
484	SO[199]	7254.5	118	14	65
485	SO[200]	7237.5	258	14	65
486	SO[201]	7220.5	385.5	14	65
487	SO[202]	7203.5	118	14	65
488	SO[203]	7186.5	258	14	65
489	SO[204]	7169.5	385.5	14	65
490	SO[205]	7152.5	118	14	65
491	SO[206]	7135.5	258	14	65
492	SO[207]	7118.5	385.5	14	65
493	SO[208]	7101.5	118	14	65
494	SO[209]	7084.5	258	14	65
495	SO[210]	7067.5	385.5	14	65
496	SO[211]	7050.5	118	14	65
497	SO[212]	7033.5	258	14	65
498	SO[213]	7016.5	385.5	14	65
499	SO[214]	6999.5	118	14	65
500	SO[215]	6982.5	258	14	65
501	SO[216]	6965.5	385.5	14	65
502	SO[217]	6948.5	118	14	65
503	SO[218]	6931.5	258	14	65
504	SO[219]	6914.5	385.5	14	65
505	SO[220]	6897.5	118	14	65
506	SO[221]	6880.5	258	14	65
507	SO[222]	6863.5	385.5	14	65
508	SO[223]	6846.5	118	14	65
509	SO[224]	6829.5	258	14	65
510	SO[225]	6812.5	385.5	14	65
511	SO[226]	6795.5	118	14	65
512	SO[227]	6778.5	258	14	65
513	SO[228]	6761.5	385.5	14	65
514	SO[229]	6744.5	118	14	65
515	SO[230]	6727.5	258	14	65
516	SO[231]	6710.5	385.5	14	65
517	SO[232]	6693.5	118	14	65
518	SO[233]	6676.5	258	14	65
519	SO[234]	6659.5	385.5	14	65
520	SO[235]	6642.5	118	14	65
521	SO[236]	6625.5	258	14	65
522	SO[237]	6608.5	385.5	14	65
523	SO[238]	6591.5	118	14	65
524	SO[239]	6574.5	258	14	65
525	SO[240]	6557.5	385.5	14	65
526	SO[241]	6540.5	118	14	65
527	SO[242]	6523.5	258	14	65
528	SO[243]	6506.5	385.5	14	65
529	SO[244]	6489.5	118	14	65
530	SO[245]	6472.5	258	14	65
531	SO[246]	6455.5	385.5	14	65
532	SO[247]	6438.5	118	14	65

PAD No.	PAD Name	X-axis	Y-axis	W	H
541	SO[256]	6285.5	118	14	65
542	SO[257]	6268.5	258	14	65
543	SO[258]	6251.5	385.5	14	65
544	SO[259]	6234.5	118	14	65
545	SO[260]	6217.5	258	14	65
546	SO[261]	6200.5	385.5	14	65
547	SO[262]	6183.5	118	14	65
548	SO[263]	6166.5	258	14	65
549	SO[264]	6149.5	385.5	14	65
550	SO[265]	6132.5	118	14	65
551	SO[266]	6115.5	258	14	65
552	SO[267]	6098.5	385.5	14	65
553	SO[268]	6081.5	118	14	65
554	SO[269]	6064.5	258	14	65
555	SO[270]	6047.5	385.5	14	65
556	SO[271]	6030.5	118	14	65
557	SO[272]	6013.5	258	14	65
558	SO[273]	5996.5	385.5	14	65
559	SO[274]	5979.5	118	14	65
560	SO[275]	5962.5	258	14	65
561	SO[276]	5945.5	385.5	14	65
562	SO[277]	5928.5	118	14	65
563	SO[278]	5911.5	258	14	65
564	SO[279]	5894.5	385.5	14	65
565	SO[280]	5877.5	118	14	65
566	SO[281]	5860.5	258	14	65
567	SO[282]	5843.5	385.5	14	65
568	SO[283]	5826.5	118	14	65
569	SO[284]	5809.5	258	14	65
570	SO[285]	5792.5	385.5	14	65
571	SO[286]	5775.5	118	14	65
572	SO[287]	5758.5	258	14	65
573	SO[288]	5741.5	385.5	14	65
574	SO[289]	5724.5	118	14	65
575	SO[290]	5707.5	258	14	65
576	SO[291]	5690.5	385.5	14	65
577	SO[292]	5673.5	118	14	65
578	SO[293]	5656.5	258	14	65
579	SO[294]	5639.5	385.5	14	65
580	SO[295]	5622.5	118	14	65
581	SO[296]	5605.5	258	14	65
582	SO[297]	5588.5	385.5	14	65
583	SO[298]	5571.5	118	14	65
584	SO[299]	5554.5	258	14	65
585	SO[300]	5537.5	385.5	14	65
586	SO[301]	5520.5	118	14	65
587	SO[302]	5503.5	258	14	65
588	SO[303]	5486.5	385.5	14	65
589	SO[304]	5469.5	118	14	65
590	SO[305]	5452.5	258	14	65
591	SO[306]	5435.5	385.5	14	65
592	SO[307]	5418.5	118	14	65

# fitipower

## EK79713CA

533	SO[248]	6421.5	258	14	65
534	SO[249]	6404.5	385.5	14	65
535	SO[250]	6387.5	118	14	65
536	SO[251]	6370.5	258	14	65
537	SO[252]	6353.5	385.5	14	65
538	SO[253]	6336.5	118	14	65
539	SO[254]	6319.5	258	14	65
540	SO[255]	6302.5	385.5	14	65

593	SO[308]	5401.5	258	14	65
594	SO[309]	5384.5	385.5	14	65
595	SO[310]	5367.5	118	14	65
596	SO[311]	5350.5	258	14	65
597	SO[312]	5333.5	385.5	14	65
598	SO[313]	5316.5	118	14	65
599	SO[314]	5299.5	258	14	65
600	SO[315]	5282.5	385.5	14	65

PAD No.	PAD Name	X-axis	Y-axis	W	H
601	SO[316]	5265.5	118	14	65
602	SO[317]	5248.5	258	14	65
603	SO[318]	5231.5	385.5	14	65
604	SO[319]	5214.5	118	14	65
605	SO[320]	5197.5	258	14	65
606	SO[321]	5180.5	385.5	14	65
607	SO[322]	5163.5	118	14	65
608	SO[323]	5146.5	258	14	65
609	SO[324]	5129.5	385.5	14	65
610	SO[325]	5112.5	118	14	65
611	SO[326]	5095.5	258	14	65
612	SO[327]	5078.5	385.5	14	65
613	SO[328]	5061.5	118	14	65
614	SO[329]	5044.5	258	14	65
615	SO[330]	5027.5	385.5	14	65
616	SO[331]	5010.5	118	14	65
617	SO[332]	4993.5	258	14	65
618	SO[333]	4976.5	385.5	14	65
619	SO[334]	4959.5	118	14	65
620	SO[335]	4942.5	258	14	65
621	SO[336]	4925.5	385.5	14	65
622	SO[337]	4908.5	118	14	65
623	SO[338]	4891.5	258	14	65
624	SO[339]	4874.5	385.5	14	65
625	SO[340]	4857.5	118	14	65
626	SO[341]	4840.5	258	14	65
627	SO[342]	4823.5	385.5	14	65
628	SO[343]	4806.5	118	14	65
629	SO[344]	4789.5	258	14	65
630	SO[345]	4772.5	385.5	14	65
631	SO[346]	4755.5	118	14	65
632	SO[347]	4738.5	258	14	65
633	SO[348]	4721.5	385.5	14	65
634	SO[349]	4704.5	118	14	65
635	SO[350]	4687.5	258	14	65
636	SO[351]	4670.5	385.5	14	65
637	SO[352]	4653.5	118	14	65
638	SO[353]	4636.5	258	14	65
639	SO[354]	4619.5	385.5	14	65
640	SO[355]	4602.5	118	14	65
641	SO[356]	4585.5	258	14	65
642	SO[357]	4568.5	385.5	14	65
643	SO[358]	4551.5	118	14	65
644	SO[359]	4534.5	258	14	65
645	SO[360]	4517.5	385.5	14	65
646	SO[361]	4500.5	118	14	65
647	SO[362]	4483.5	258	14	65
648	SO[363]	4466.5	385.5	14	65
649	SO[364]	4449.5	118	14	65
650	SO[365]	4432.5	258	14	65

PAD No.	PAD Name	X-axis	Y-axis	W	H
661	SO[376]	4243.5	118	14	65
662	SO[377]	4228.5	258	14	65
663	SO[378]	4213.5	385.5	14	65
664	SO[379]	4198.5	118	14	65
665	SO[380]	4183.5	258	14	65
666	SO[381]	4168.5	385.5	14	65
667	SO[382]	4153.5	118	14	65
668	SO[383]	4138.5	258	14	65
669	SO[384]	4123.5	385.5	14	65
670	SO[385]	4108.5	118	14	65
671	SO[386]	4093.5	258	14	65
672	SO[387]	4078.5	385.5	14	65
673	SO[388]	4063.5	118	14	65
674	SO[389]	4048.5	258	14	65
675	SO[390]	4033.5	385.5	14	65
676	SO[391]	4018.5	118	14	65
677	SO[392]	4003.5	258	14	65
678	SO[393]	3988.5	385.5	14	65
679	SO[394]	3973.5	118	14	65
680	SO[395]	3958.5	258	14	65
681	SO[396]	3943.5	385.5	14	65
682	SO[397]	3928.5	118	14	65
683	SO[398]	3913.5	258	14	65
684	SO[399]	3898.5	385.5	14	65
685	SO[400]	3883.5	118	14	65
686	SO[401]	3868.5	258	14	65
687	SO[402]	3853.5	385.5	14	65
688	SO[403]	3838.5	118	14	65
689	SO[404]	3823.5	258	14	65
690	SO[405]	3808.5	385.5	14	65
691	SO[406]	3793.5	118	14	65
692	SO[407]	3778.5	258	14	65
693	SO[408]	3763.5	385.5	14	65
694	SO[409]	3748.5	118	14	65
695	SO[410]	3733.5	258	14	65
696	SO[411]	3718.5	385.5	14	65
697	SO[412]	3703.5	118	14	65
698	SO[413]	3688.5	258	14	65
699	SO[414]	3673.5	385.5	14	65
700	SO[415]	3658.5	118	14	65
701	SO[416]	3643.5	258	14	65
702	SO[417]	3628.5	385.5	14	65
703	SO[418]	3613.5	118	14	65
704	SO[419]	3598.5	258	14	65
705	SO[420]	3583.5	385.5	14	65
706	SO[421]	3568.5	118	14	65
707	SO[422]	3553.5	258	14	65
708	SO[423]	3538.5	385.5	14	65
709	SO[424]	3523.5	118	14	65
710	SO[425]	3508.5	258	14	65



# fitipower

## EK79713CA

651	SO[366]	4415.5	385.5	14	65
652	SO[367]	4398.5	118	14	65
653	SO[368]	4381.5	258	14	65
654	SO[369]	4364.5	385.5	14	65
655	SO[370]	4347.5	118	14	65
656	SO[371]	4330.5	258	14	65
657	SO[372]	4313.5	385.5	14	65
658	SO[373]	4296.5	118	14	65
659	SO[374]	4279.5	258	14	65
660	SO[375]	4262.5	385.5	14	65

711	SO[426]	3395.5	385.5	14	65
712	SO[427]	3378.5	118	14	65
713	SO[428]	3361.5	258	14	65
714	SO[429]	3344.5	385.5	14	65
715	SO[430]	3327.5	118	14	65
716	SO[431]	3310.5	258	14	65
717	SO[432]	3293.5	385.5	14	65
718	SO[433]	3276.5	118	14	65
719	SO[434]	3259.5	258	14	65
720	SO[435]	3242.5	385.5	14	65

PAD No.	PAD Name	X-axis	Y-axis	W	H
721	SO[436]	3225.5	118	14	65
722	SO[437]	3208.5	258	14	65
723	SO[438]	3191.5	385.5	14	65
724	SO[439]	3174.5	118	14	65
725	SO[440]	3157.5	258	14	65
726	SO[441]	3140.5	385.5	14	65
727	SO[442]	3123.5	118	14	65
728	SO[443]	3106.5	258	14	65
729	SO[444]	3089.5	385.5	14	65
730	SO[445]	3072.5	118	14	65
731	SO[446]	3055.5	258	14	65
732	SO[447]	3038.5	385.5	14	65
733	SO[448]	3021.5	118	14	65
734	SO[449]	3004.5	258	14	65
735	SO[450]	2987.5	385.5	14	65
736	SO[451]	2970.5	118	14	65
737	SO[452]	2953.5	258	14	65
738	SO[453]	2936.5	385.5	14	65
739	SO[454]	2919.5	118	14	65
740	SO[455]	2902.5	258	14	65
741	SO[456]	2885.5	385.5	14	65
742	SO[457]	2868.5	118	14	65
743	SO[458]	2851.5	258	14	65
744	SO[459]	2834.5	385.5	14	65
745	SO[460]	2817.5	118	14	65
746	SO[461]	2800.5	258	14	65
747	SO[462]	2783.5	385.5	14	65
748	SO[463]	2766.5	118	14	65
749	SO[464]	2749.5	258	14	65
750	SO[465]	2732.5	385.5	14	65
751	SO[466]	2715.5	118	14	65
752	SO[467]	2698.5	258	14	65
753	SO[468]	2681.5	385.5	14	65
754	SO[469]	2664.5	118	14	65
755	SO[470]	2647.5	258	14	65
756	SO[471]	2630.5	385.5	14	65
757	SO[472]	2613.5	118	14	65
758	SO[473]	2596.5	258	14	65
759	SO[474]	2579.5	385.5	14	65
760	SO[475]	2562.5	118	14	65
761	SO[476]	2545.5	258	14	65
762	SO[477]	2528.5	385.5	14	65
763	SO[478]	2511.5	118	14	65
764	SO[479]	2494.5	258	14	65
765	SO[480]	2477.5	385.5	14	65
766	SO[481]	2460.5	118	14	65
767	SO[482]	2443.5	258	14	65
768	SO[483]	2426.5	385.5	14	65

PAD No.	PAD Name	X-axis	Y-axis	W	H
781	SO[496]	2205.5	118	14	65
782	SO[497]	2188.5	258	14	65
783	SO[498]	2171.5	385.5	14	65
784	SO[499]	2154.5	118	14	65
785	SO[500]	2137.5	258	14	65
786	SO[501]	2120.5	385.5	14	65
787	SO[502]	2103.5	118	14	65
788	SO[503]	2086.5	258	14	65
789	SO[504]	2069.5	385.5	14	65
790	SO[505]	2052.5	118	14	65
791	SO[506]	2035.5	258	14	65
792	SO[507]	2018.5	385.5	14	65
793	SO[508]	2001.5	118	14	65
794	SO[509]	1984.5	258	14	65
795	SO[510]	1967.5	385.5	14	65
796	SO[511]	1950.5	118	14	65
797	SO[512]	1933.5	258	14	65
798	SO[513]	1916.5	385.5	14	65
799	SO[514]	1899.5	118	14	65
800	SO[515]	1882.5	258	14	65
801	SO[516]	1865.5	385.5	14	65
802	SO[517]	1848.5	118	14	65
803	SO[518]	1831.5	258	14	65
804	SO[519]	1814.5	385.5	14	65
805	SO[520]	1797.5	118	14	65
806	SO[521]	1780.5	258	14	65
807	SO[522]	1763.5	385.5	14	65
808	SO[523]	1746.5	118	14	65
809	SO[524]	1729.5	258	14	65
810	SO[525]	1712.5	385.5	14	65
811	SO[526]	1695.5	118	14	65
812	SO[527]	1678.5	258	14	65
813	SO[528]	1661.5	385.5	14	65
814	SO[529]	1644.5	118	14	65
815	SO[530]	1627.5	258	14	65
816	SO[531]	1610.5	385.5	14	65
817	SO[532]	1593.5	118	14	65
818	SO[533]	1576.5	258	14	65
819	SO[534]	1559.5	385.5	14	65
820	SO[535]	1542.5	118	14	65
821	SO[536]	1525.5	258	14	65
822	SO[537]	1508.5	385.5	14	65
823	SO[538]	1491.5	118	14	65
824	SO[539]	1474.5	258	14	65
825	SO[540]	1457.5	385.5	14	65
826	SO[541]	1440.5	118	14	65
827	SO[542]	1423.5	258	14	65
828	SO[543]	1406.5	385.5	14	65

# fitipower

## EK79713CA

769	SO[484]	2409.5	118	14	65
770	SO[485]	2392.5	258	14	65
771	SO[486]	2375.5	385.5	14	65
772	SO[487]	2358.5	118	14	65
773	SO[488]	2341.5	258	14	65
774	SO[489]	2324.5	385.5	14	65
775	SO[490]	2307.5	118	14	65
776	SO[491]	2290.5	258	14	65
777	SO[492]	2273.5	385.5	14	65
778	SO[493]	2256.5	118	14	65
779	SO[494]	2239.5	258	14	65
780	SO[495]	2222.5	385.5	14	65

829	SO[544]	1389.5	118	14	65
830	SO[545]	1372.5	258	14	65
831	SO[546]	1355.5	385.5	14	65
832	SO[547]	1338.5	118	14	65
833	SO[548]	1321.5	258	14	65
834	SO[549]	1304.5	385.5	14	65
835	SO[550]	1287.5	118	14	65
836	SO[551]	1270.5	258	14	65
837	SO[552]	1253.5	385.5	14	65
838	SO[553]	1236.5	118	14	65
839	SO[554]	1219.5	258	14	65
840	SO[555]	1202.5	385.5	14	65

PAD No.	PAD Name	X-axis	Y-axis	W	H
841	SO[556]	1185.5	118	14	65
842	SO[557]	1168.5	258	14	65
843	SO[558]	1151.5	385.5	14	65
844	SO[559]	1134.5	118	14	65
845	SO[560]	1117.5	258	14	65
846	SO[561]	1100.5	385.5	14	65
847	SO[562]	1083.5	118	14	65
848	SO[563]	1066.5	258	14	65
849	SO[564]	1049.5	385.5	14	65
850	SO[565]	1032.5	118	14	65
851	SO[566]	1015.5	258	14	65
852	SO[567]	998.5	385.5	14	65
853	SO[568]	981.5	118	14	65
854	SO[569]	964.5	258	14	65
855	SO[570]	947.5	385.5	14	65
856	SO[571]	930.5	118	14	65
857	SO[572]	913.5	258	14	65
858	SO[573]	896.5	385.5	14	65
859	SO[574]	879.5	118	14	65
860	SO[575]	862.5	258	14	65
861	SO[576]	845.5	385.5	14	65
862	SO[577]	828.5	118	14	65
863	SO[578]	811.5	258	14	65
864	SO[579]	794.5	385.5	14	65
865	SO[580]	777.5	118	14	65
866	SO[581]	760.5	258	14	65
867	SO[582]	743.5	385.5	14	65
868	SO[583]	726.5	118	14	65
869	SO[584]	709.5	258	14	65
870	SO[585]	692.5	385.5	14	65
871	SO[586]	675.5	118	14	65
872	SO[587]	658.5	258	14	65
873	SO[588]	641.5	385.5	14	65
874	SO[589]	624.5	118	14	65
875	SO[590]	607.5	258	14	65
876	SO[591]	590.5	385.5	14	65
877	SO[592]	573.5	118	14	65
878	SO[593]	556.5	258	14	65
879	SO[594]	539.5	385.5	14	65
880	SO[595]	522.5	118	14	65
881	SO[596]	505.5	258	14	65
882	SO[597]	488.5	385.5	14	65
883	SO[598]	471.5	118	14	65
884	SO[599]	454.5	258	14	65
885	SO[600]	437.5	385.5	14	65
886	SHIELDING	403.5	385.5	14	65

PAD No.	PAD Name	X-axis	Y-axis	W	H
901	SO[604]	-488.5	385.5	14	65
902	SO[605]	-505.5	258	14	65
903	SO[606]	-522.5	118	14	65
904	SO[607]	-539.5	385.5	14	65
905	SO[608]	-556.5	258	14	65
906	SO[609]	-573.5	118	14	65
907	SO[610]	-590.5	385.5	14	65
908	SO[611]	-607.5	258	14	65
909	SO[612]	-624.5	118	14	65
910	SO[613]	-641.5	385.5	14	65
911	SO[614]	-658.5	258	14	65
912	SO[615]	-675.5	118	14	65
913	SO[616]	-692.5	385.5	14	65
914	SO[617]	-709.5	258	14	65
915	SO[618]	-726.5	118	14	65
916	SO[619]	-743.5	385.5	14	65
917	SO[620]	-760.5	258	14	65
918	SO[621]	-777.5	118	14	65
919	SO[622]	-794.5	385.5	14	65
920	SO[623]	-811.5	258	14	65
921	SO[624]	-828.5	118	14	65
922	SO[625]	-845.5	385.5	14	65
923	SO[626]	-862.5	258	14	65
924	SO[627]	-879.5	118	14	65
925	SO[628]	-896.5	385.5	14	65
926	SO[629]	-913.5	258	14	65
927	SO[630]	-930.5	118	14	65
928	SO[631]	-947.5	385.5	14	65
929	SO[632]	-964.5	258	14	65
930	SO[633]	-981.5	118	14	65
931	SO[634]	-998.5	385.5	14	65
932	SO[635]	-1015.5	258	14	65
933	SO[636]	-1032.5	118	14	65
934	SO[637]	-1049.5	385.5	14	65
935	SO[638]	-1066.5	258	14	65
936	SO[639]	-1083.5	118	14	65
937	SO[640]	-1100.5	385.5	14	65
938	SO[641]	-1117.5	258	14	65
939	SO[642]	-1134.5	118	14	65
940	SO[643]	-1151.5	385.5	14	65
941	SO[644]	-1168.5	258	14	65
942	SO[645]	-1185.5	118	14	65
943	SO[646]	-1202.5	385.5	14	65
944	SO[647]	-1219.5	258	14	65
945	SO[648]	-1236.5	118	14	65
946	SO[649]	-1253.5	385.5	14	65

# fitipower

## EK79713CA

887	SHIELDING	369.5	385.5	14	65
888	SHIELDING	335.5	385.5	14	65
889	SHIELDING	301.5	385.5	14	65
890	SHIELDING	267.5	385.5	14	65
891	SHIELDING	233.5	385.5	14	65
892	SHIELDING	-233.5	385.5	14	65
893	SHIELDING	-267.5	385.5	14	65
894	SHIELDING	-301.5	385.5	14	65
895	SHIELDING	-335.5	385.5	14	65
896	SHIELDING	-369.5	385.5	14	65
897	SHIELDING	-403.5	385.5	14	65
898	SO[601]	-437.5	385.5	14	65
899	SO[602]	-454.5	258	14	65
900	SO[603]	-471.5	118	14	65

947	SO[650]	-1270.5	258	14	65
948	SO[651]	-1287.5	118	14	65
949	SO[652]	-1304.5	385.5	14	65
950	SO[653]	-1321.5	258	14	65
951	SO[654]	-1338.5	118	14	65
952	SO[655]	-1355.5	385.5	14	65
953	SO[656]	-1372.5	258	14	65
954	SO[657]	-1389.5	118	14	65
955	SO[658]	-1406.5	385.5	14	65
956	SO[659]	-1423.5	258	14	65
957	SO[660]	-1440.5	118	14	65
958	SO[661]	-1457.5	385.5	14	65
959	SO[662]	-1474.5	258	14	65
960	SO[663]	-1491.5	118	14	65

PAD No.	PAD Name	X-axis	Y-axis	W	H
961	SO[664]	-1508.5	385.5	14	65
962	SO[665]	-1525.5	258	14	65
963	SO[666]	-1542.5	118	14	65
964	SO[667]	-1559.5	385.5	14	65
965	SO[668]	-1576.5	258	14	65
966	SO[669]	-1593.5	118	14	65
967	SO[670]	-1610.5	385.5	14	65
968	SO[671]	-1627.5	258	14	65
969	SO[672]	-1644.5	118	14	65
970	SO[673]	-1661.5	385.5	14	65
971	SO[674]	-1678.5	258	14	65
972	SO[675]	-1695.5	118	14	65
973	SO[676]	-1712.5	385.5	14	65
974	SO[677]	-1729.5	258	14	65
975	SO[678]	-1746.5	118	14	65
976	SO[679]	-1763.5	385.5	14	65
977	SO[680]	-1780.5	258	14	65
978	SO[681]	-1797.5	118	14	65
979	SO[682]	-1814.5	385.5	14	65
980	SO[683]	-1831.5	258	14	65
981	SO[684]	-1848.5	118	14	65
982	SO[685]	-1865.5	385.5	14	65
983	SO[686]	-1882.5	258	14	65
984	SO[687]	-1899.5	118	14	65
985	SO[688]	-1916.5	385.5	14	65
986	SO[689]	-1933.5	258	14	65
987	SO[690]	-1950.5	118	14	65
988	SO[691]	-1967.5	385.5	14	65
989	SO[692]	-1984.5	258	14	65
990	SO[693]	-2001.5	118	14	65
991	SO[694]	-2018.5	385.5	14	65
992	SO[695]	-2035.5	258	14	65
993	SO[696]	-2052.5	118	14	65
994	SO[697]	-2069.5	385.5	14	65
995	SO[698]	-2086.5	258	14	65
996	SO[699]	-2103.5	118	14	65
997	SO[700]	-2120.5	385.5	14	65
998	SO[701]	-2137.5	258	14	65
999	SO[702]	-2154.5	118	14	65
1000	SO[703]	-2171.5	385.5	14	65
1001	SO[704]	-2188.5	258	14	65
1002	SO[705]	-2205.5	118	14	65
1003	SO[706]	-2222.5	385.5	14	65
1004	SO[707]	-2239.5	258	14	65

PAD No.	PAD Name	X-axis	Y-axis	W	H
1021	SO[724]	-2528.5	385.5	14	65
1022	SO[725]	-2545.5	258	14	65
1023	SO[726]	-2562.5	118	14	65
1024	SO[727]	-2579.5	385.5	14	65
1025	SO[728]	-2596.5	258	14	65
1026	SO[729]	-2613.5	118	14	65
1027	SO[730]	-2630.5	385.5	14	65
1028	SO[731]	-2647.5	258	14	65
1029	SO[732]	-2664.5	118	14	65
1030	SO[733]	-2681.5	385.5	14	65
1031	SO[734]	-2698.5	258	14	65
1032	SO[735]	-2715.5	118	14	65
1033	SO[736]	-2732.5	385.5	14	65
1034	SO[737]	-2749.5	258	14	65
1035	SO[738]	-2766.5	118	14	65
1036	SO[739]	-2783.5	385.5	14	65
1037	SO[740]	-2800.5	258	14	65
1038	SO[741]	-2817.5	118	14	65
1039	SO[742]	-2834.5	385.5	14	65
1040	SO[743]	-2851.5	258	14	65
1041	SO[744]	-2868.5	118	14	65
1042	SO[745]	-2885.5	385.5	14	65
1043	SO[746]	-2902.5	258	14	65
1044	SO[747]	-2919.5	118	14	65
1045	SO[748]	-2936.5	385.5	14	65
1046	SO[749]	-2953.5	258	14	65
1047	SO[750]	-2970.5	118	14	65
1048	SO[751]	-2987.5	385.5	14	65
1049	SO[752]	-3004.5	258	14	65
1050	SO[753]	-3021.5	118	14	65
1051	SO[754]	-3038.5	385.5	14	65
1052	SO[755]	-3055.5	258	14	65
1053	SO[756]	-3072.5	118	14	65
1054	SO[757]	-3089.5	385.5	14	65
1055	SO[758]	-3106.5	258	14	65
1056	SO[759]	-3123.5	118	14	65
1057	SO[760]	-3140.5	385.5	14	65
1058	SO[761]	-3157.5	258	14	65
1059	SO[762]	-3174.5	118	14	65
1060	SO[763]	-3191.5	385.5	14	65
1061	SO[764]	-3208.5	258	14	65
1062	SO[765]	-3225.5	118	14	65
1063	SO[766]	-3242.5	385.5	14	65
1064	SO[767]	-3259.5	258	14	65

## EK79713CA

1005	SO[708]	-2256.5	118	14	65
1006	SO[709]	-2273.5	385.5	14	65
1007	SO[710]	-2290.5	258	14	65
1008	SO[711]	-2307.5	118	14	65
1009	SO[712]	-2324.5	385.5	14	65
1010	SO[713]	-2341.5	258	14	65
1011	SO[714]	-2358.5	118	14	65
1012	SO[715]	-2375.5	385.5	14	65
1013	SO[716]	-2392.5	258	14	65
1014	SO[717]	-2409.5	118	14	65
1015	SO[718]	-2426.5	385.5	14	65
1016	SO[719]	-2443.5	258	14	65
1017	SO[720]	-2460.5	118	14	65
1018	SO[721]	-2477.5	385.5	14	65
1019	SO[722]	-2494.5	258	14	65
1020	SO[723]	-2511.5	118	14	65

1065	SO[768]	-3276.5	118	14	65
1066	SO[769]	-3293.5	385.5	14	65
1067	SO[770]	-3310.5	258	14	65
1068	SO[771]	-3327.5	118	14	65
1069	SO[772]	-3344.5	385.5	14	65
1070	SO[773]	-3361.5	258	14	65
1071	SO[774]	-3378.5	118	14	65
1072	SO[775]	-3395.5	385.5	14	65
1073	SO[776]	-3412.5	258	14	65
1074	SO[777]	-3429.5	118	14	65
1075	SO[778]	-3446.5	385.5	14	65
1076	SO[779]	-3463.5	258	14	65
1077	SO[780]	-3480.5	118	14	65
1078	SO[781]	-3497.5	385.5	14	65
1079	SO[782]	-3514.5	258	14	65
1080	SO[783]	-3531.5	118	14	65

PAD No.	PAD Name	X-axis	Y-axis	W	H
1081	SO[784]	-3548.5	385.5	14	65
1082	SO[785]	-3565.5	258	14	65
1083	SO[786]	-3582.5	118	14	65
1084	SO[787]	-3599.5	385.5	14	65
1085	SO[788]	-3616.5	258	14	65
1086	SO[789]	-3633.5	118	14	65
1087	SO[790]	-3650.5	385.5	14	65
1088	SO[791]	-3667.5	258	14	65
1089	SO[792]	-3684.5	118	14	65
1090	SO[793]	-3701.5	385.5	14	65
1091	SO[794]	-3718.5	258	14	65
1092	SO[795]	-3735.5	118	14	65
1093	SO[796]	-3752.5	385.5	14	65
1094	SO[797]	-3769.5	258	14	65
1095	SO[798]	-3786.5	118	14	65
1096	SO[799]	-3803.5	385.5	14	65
1097	SO[800]	-3820.5	258	14	65
1098	SO[801]	-3837.5	118	14	65
1099	SO[802]	-3854.5	385.5	14	65
1100	SO[803]	-3871.5	258	14	65
1101	SO[804]	-3888.5	118	14	65
1102	SO[805]	-3905.5	385.5	14	65
1103	SO[806]	-3922.5	258	14	65
1104	SO[807]	-3939.5	118	14	65
1105	SO[808]	-3956.5	385.5	14	65
1106	SO[809]	-3973.5	258	14	65
1107	SO[810]	-3990.5	118	14	65
1108	SO[811]	-4007.5	385.5	14	65
1109	SO[812]	-4024.5	258	14	65
1110	SO[813]	-4041.5	118	14	65
1111	SO[814]	-4058.5	385.5	14	65
1112	SO[815]	-4075.5	258	14	65
1113	SO[816]	-4092.5	118	14	65
1114	SO[817]	-4109.5	385.5	14	65
1115	SO[818]	-4126.5	258	14	65
1116	SO[819]	-4143.5	118	14	65
1117	SO[820]	-4160.5	385.5	14	65
1118	SO[821]	-4177.5	258	14	65
1119	SO[822]	-4194.5	118	14	65
1120	SO[823]	-4211.5	385.5	14	65
1121	SO[824]	-4228.5	258	14	65
1122	SO[825]	-4245.5	118	14	65

PAD No.	PAD Name	X-axis	Y-axis	W	H
1141	SO[844]	-4568.5	385.5	14	65
1142	SO[845]	-4585.5	258	14	65
1143	SO[846]	-4602.5	118	14	65
1144	SO[847]	-4619.5	385.5	14	65
1145	SO[848]	-4636.5	258	14	65
1146	SO[849]	-4653.5	118	14	65
1147	SO[850]	-4670.5	385.5	14	65
1148	SO[851]	-4687.5	258	14	65
1149	SO[852]	-4704.5	118	14	65
1150	SO[853]	-4721.5	385.5	14	65
1151	SO[854]	-4738.5	258	14	65
1152	SO[855]	-4755.5	118	14	65
1153	SO[856]	-4772.5	385.5	14	65
1154	SO[857]	-4789.5	258	14	65
1155	SO[858]	-4806.5	118	14	65
1156	SO[859]	-4823.5	385.5	14	65
1157	SO[860]	-4840.5	258	14	65
1158	SO[861]	-4857.5	118	14	65
1159	SO[862]	-4874.5	385.5	14	65
1160	SO[863]	-4891.5	258	14	65
1161	SO[864]	-4908.5	118	14	65
1162	SO[865]	-4925.5	385.5	14	65
1163	SO[866]	-4942.5	258	14	65
1164	SO[867]	-4959.5	118	14	65
1165	SO[868]	-4976.5	385.5	14	65
1166	SO[869]	-4993.5	258	14	65
1167	SO[870]	-5010.5	118	14	65
1168	SO[871]	-5027.5	385.5	14	65
1169	SO[872]	-5044.5	258	14	65
1170	SO[873]	-5061.5	118	14	65
1171	SO[874]	-5078.5	385.5	14	65
1172	SO[875]	-5095.5	258	14	65
1173	SO[876]	-5112.5	118	14	65
1174	SO[877]	-5129.5	385.5	14	65
1175	SO[878]	-5146.5	258	14	65
1176	SO[879]	-5163.5	118	14	65
1177	SO[880]	-5180.5	385.5	14	65
1178	SO[881]	-5197.5	258	14	65
1179	SO[882]	-5214.5	118	14	65
1180	SO[883]	-5231.5	385.5	14	65
1181	SO[884]	-5248.5	258	14	65
1182	SO[885]	-5265.5	118	14	65

# fitipower

## EK79713CA

1123	SO[826]	-4262.5	385.5	14	65
1124	SO[827]	-4279.5	258	14	65
1125	SO[828]	-4296.5	118	14	65
1126	SO[829]	-4313.5	385.5	14	65
1127	SO[830]	-4330.5	258	14	65
1128	SO[831]	-4347.5	118	14	65
1129	SO[832]	-4364.5	385.5	14	65
1130	SO[833]	-4381.5	258	14	65
1131	SO[834]	-4398.5	118	14	65
1132	SO[835]	-4415.5	385.5	14	65
1133	SO[836]	-4432.5	258	14	65
1134	SO[837]	-4449.5	118	14	65
1135	SO[838]	-4466.5	385.5	14	65
1136	SO[839]	-4483.5	258	14	65
1137	SO[840]	-4500.5	118	14	65
1138	SO[841]	-4517.5	385.5	14	65
1139	SO[842]	-4534.5	258	14	65
1140	SO[843]	-4551.5	118	14	65

1183	SO[886]	-5282.5	385.5	14	65
1184	SO[887]	-5299.5	258	14	65
1185	SO[888]	-5316.5	118	14	65
1186	SO[889]	-5333.5	385.5	14	65
1187	SO[890]	-5350.5	258	14	65
1188	SO[891]	-5367.5	118	14	65
1189	SO[892]	-5384.5	385.5	14	65
1190	SO[893]	-5401.5	258	14	65
1191	SO[894]	-5418.5	118	14	65
1192	SO[895]	-5435.5	385.5	14	65
1193	SO[896]	-5452.5	258	14	65
1194	SO[897]	-5469.5	118	14	65
1195	SO[898]	-5486.5	385.5	14	65
1196	SO[899]	-5503.5	258	14	65
1197	SO[900]	-5520.5	118	14	65
1198	SO[901]	-5537.5	385.5	14	65
1199	SO[902]	-5554.5	258	14	65
1200	SO[903]	-5571.5	118	14	65

PAD No.	PAD Name	X-axis	Y-axis	W	H
1201	SO[904]	-5588.5	385.5	14	65
1202	SO[905]	-5605.5	258	14	65
1203	SO[906]	-5622.5	118	14	65
1204	SO[907]	-5639.5	385.5	14	65
1205	SO[908]	-5656.5	258	14	65
1206	SO[909]	-5673.5	118	14	65
1207	SO[910]	-5690.5	385.5	14	65
1208	SO[911]	-5707.5	258	14	65
1209	SO[912]	-5724.5	118	14	65
1210	SO[913]	-5741.5	385.5	14	65
1211	SO[914]	-5758.5	258	14	65
1212	SO[915]	-5775.5	118	14	65
1213	SO[916]	-5792.5	385.5	14	65
1214	SO[917]	-5809.5	258	14	65
1215	SO[918]	-5826.5	118	14	65
1216	SO[919]	-5843.5	385.5	14	65
1217	SO[920]	-5860.5	258	14	65
1218	SO[921]	-5877.5	118	14	65
1219	SO[922]	-5894.5	385.5	14	65
1220	SO[923]	-5911.5	258	14	65
1221	SO[924]	-5928.5	118	14	65
1222	SO[925]	-5945.5	385.5	14	65
1223	SO[926]	-5962.5	258	14	65
1224	SO[927]	-5979.5	118	14	65
1225	SO[928]	-5996.5	385.5	14	65
1226	SO[929]	-6013.5	258	14	65
1227	SO[930]	-6030.5	118	14	65
1228	SO[931]	-6047.5	385.5	14	65
1229	SO[932]	-6064.5	258	14	65
1230	SO[933]	-6081.5	118	14	65
1231	SO[934]	-6098.5	385.5	14	65
1232	SO[935]	-6115.5	258	14	65
1233	SO[936]	-6132.5	118	14	65
1234	SO[937]	-6149.5	385.5	14	65
1235	SO[938]	-6166.5	258	14	65
1236	SO[939]	-6183.5	118	14	65
1237	SO[940]	-6200.5	385.5	14	65
1238	SO[941]	-6217.5	258	14	65
1239	SO[942]	-6234.5	118	14	65
1240	SO[943]	-6251.5	385.5	14	65

PAD No.	PAD Name	X-axis	Y-axis	W	H
1261	SO[964]	-6608.5	385.5	14	65
1262	SO[965]	-6625.5	258	14	65
1263	SO[966]	-6642.5	118	14	65
1264	SO[967]	-6659.5	385.5	14	65
1265	SO[968]	-6676.5	258	14	65
1266	SO[969]	-6693.5	118	14	65
1267	SO[970]	-6710.5	385.5	14	65
1268	SO[971]	-6727.5	258	14	65
1269	SO[972]	-6744.5	118	14	65
1270	SO[973]	-6761.5	385.5	14	65
1271	SO[974]	-6778.5	258	14	65
1272	SO[975]	-6795.5	118	14	65
1273	SO[976]	-6812.5	385.5	14	65
1274	SO[977]	-6829.5	258	14	65
1275	SO[978]	-6846.5	118	14	65
1276	SO[979]	-6863.5	385.5	14	65
1277	SO[980]	-6880.5	258	14	65
1278	SO[981]	-6897.5	118	14	65
1279	SO[982]	-6914.5	385.5	14	65
1280	SO[983]	-6931.5	258	14	65
1281	SO[984]	-6948.5	118	14	65
1282	SO[985]	-6965.5	385.5	14	65
1283	SO[986]	-6982.5	258	14	65
1284	SO[987]	-6999.5	118	14	65
1285	SO[988]	-7016.5	385.5	14	65
1286	SO[989]	-7033.5	258	14	65
1287	SO[990]	-7050.5	118	14	65
1288	SO[991]	-7067.5	385.5	14	65
1289	SO[992]	-7084.5	258	14	65
1290	SO[993]	-7101.5	118	14	65
1291	SO[994]	-7118.5	385.5	14	65
1292	SO[995]	-7135.5	258	14	65
1293	SO[996]	-7152.5	118	14	65
1294	SO[997]	-7169.5	385.5	14	65
1295	SO[998]	-7186.5	258	14	65
1296	SO[999]	-7203.5	118	14	65
1297	SO[1000]	-7220.5	385.5	14	65
1298	SO[1001]	-7237.5	258	14	65
1299	SO[1002]	-7254.5	118	14	65
1300	SO[1003]	-7271.5	385.5	14	65

# fitipower

## EK79713CA

1241	SO[944]	-6268.5	258	14	65
1242	SO[945]	-6285.5	118	14	65
1243	SO[946]	-6302.5	385.5	14	65
1244	SO[947]	-6319.5	258	14	65
1245	SO[948]	-6336.5	118	14	65
1246	SO[949]	-6353.5	385.5	14	65
1247	SO[950]	-6370.5	258	14	65
1248	SO[951]	-6387.5	118	14	65
1249	SO[952]	-6404.5	385.5	14	65
1250	SO[953]	-6421.5	258	14	65
1251	SO[954]	-6438.5	118	14	65
1252	SO[955]	-6455.5	385.5	14	65
1253	SO[956]	-6472.5	258	14	65
1254	SO[957]	-6489.5	118	14	65
1255	SO[958]	-6506.5	385.5	14	65
1256	SO[959]	-6523.5	258	14	65
1257	SO[960]	-6540.5	118	14	65
1258	SO[961]	-6557.5	385.5	14	65
1259	SO[962]	-6574.5	258	14	65
1260	SO[963]	-6591.5	118	14	65

1301	SO[1004]	-7288.5	258	14	65
1302	SO[1005]	-7305.5	118	14	65
1303	SO[1006]	-7322.5	385.5	14	65
1304	SO[1007]	-7339.5	258	14	65
1305	SO[1008]	-7356.5	118	14	65
1306	SO[1009]	-7373.5	385.5	14	65
1307	SO[1010]	-7390.5	258	14	65
1308	SO[1011]	-7407.5	118	14	65
1309	SO[1012]	-7424.5	385.5	14	65
1310	SO[1013]	-7441.5	258	14	65
1311	SO[1014]	-7458.5	118	14	65
1312	SO[1015]	-7475.5	385.5	14	65
1313	SO[1016]	-7492.5	258	14	65
1314	SO[1017]	-7509.5	118	14	65
1315	SO[1018]	-7526.5	385.5	14	65
1316	SO[1019]	-7543.5	258	14	65
1317	SO[1020]	-7560.5	118	14	65
1318	SO[1021]	-7577.5	385.5	14	65
1319	SO[1022]	-7594.5	258	14	65
1320	SO[1023]	-7611.5	118	14	65

PAD No.	PAD Name	X-axis	Y-axis	W	H
1321	SO[1024]	-7628.5	385.5	14	65
1322	SO[1025]	-7645.5	258	14	65
1323	SO[1026]	-7662.5	118	14	65
1324	SO[1027]	-7679.5	385.5	14	65
1325	SO[1028]	-7696.5	258	14	65
1326	SO[1029]	-7713.5	118	14	65
1327	SO[1030]	-7730.5	385.5	14	65
1328	SO[1031]	-7747.5	258	14	65
1329	SO[1032]	-7764.5	118	14	65
1330	SO[1033]	-7781.5	385.5	14	65
1331	SO[1034]	-7798.5	258	14	65
1332	SO[1035]	-7815.5	118	14	65
1333	SO[1036]	-7832.5	385.5	14	65
1334	SO[1037]	-7849.5	258	14	65
1335	SO[1038]	-7866.5	118	14	65
1336	SO[1039]	-7883.5	385.5	14	65
1337	SO[1040]	-7900.5	258	14	65
1338	SO[1041]	-7917.5	118	14	65
1339	SO[1042]	-7934.5	385.5	14	65
1340	SO[1043]	-7951.5	258	14	65
1341	SO[1044]	-7968.5	118	14	65
1342	SO[1045]	-7985.5	385.5	14	65
1343	SO[1046]	-8002.5	258	14	65
1344	SO[1047]	-8019.5	118	14	65
1345	SO[1048]	-8036.5	385.5	14	65
1346	SO[1049]	-8053.5	258	14	65
1347	SO[1050]	-8070.5	118	14	65
1348	SO[1051]	-8087.5	385.5	14	65
1349	SO[1052]	-8104.5	258	14	65
1350	SO[1053]	-8121.5	118	14	65
1351	SO[1054]	-8138.5	385.5	14	65
1352	SO[1055]	-8155.5	258	14	65
1353	SO[1056]	-8172.5	118	14	65
1354	SO[1057]	-8189.5	385.5	14	65
1355	SO[1058]	-8206.5	258	14	65
1356	SO[1059]	-8223.5	118	14	65
1357	SO[1060]	-8240.5	385.5	14	65
1358	SO[1061]	-8257.5	258	14	65

PAD No.	PAD Name	X-axis	Y-axis	W	H
1381	SO[1084]	-8648.5	385.5	14	65
1382	SO[1085]	-8665.5	258	14	65
1383	SO[1086]	-8682.5	118	14	65
1384	SO[1087]	-8699.5	385.5	14	65
1385	SO[1088]	-8716.5	258	14	65
1386	SO[1089]	-8733.5	118	14	65
1387	SO[1090]	-8750.5	385.5	14	65
1388	SO[1091]	-8767.5	258	14	65
1389	SO[1092]	-8784.5	118	14	65
1390	SO[1093]	-8801.5	385.5	14	65
1391	SO[1094]	-8818.5	258	14	65
1392	SO[1095]	-8835.5	118	14	65
1393	SO[1096]	-8852.5	385.5	14	65
1394	SO[1097]	-8869.5	258	14	65
1395	SO[1098]	-8886.5	118	14	65
1396	SO[1099]	-8903.5	385.5	14	65
1397	SO[1100]	-8920.5	258	14	65
1398	SO[1101]	-8937.5	118	14	65
1399	SO[1102]	-8954.5	385.5	14	65
1400	SO[1103]	-8971.5	258	14	65
1401	SO[1104]	-8988.5	118	14	65
1402	SO[1105]	-9005.5	385.5	14	65
1403	SO[1106]	-9022.5	258	14	65
1404	SO[1107]	-9039.5	118	14	65
1405	SO[1108]	-9056.5	385.5	14	65
1406	SO[1109]	-9073.5	258	14	65
1407	SO[1110]	-9090.5	118	14	65
1408	SO[1111]	-9107.5	385.5	14	65
1409	SO[1112]	-9124.5	258	14	65
1410	SO[1113]	-9141.5	118	14	65
1411	SO[1114]	-9158.5	385.5	14	65
1412	SO[1115]	-9175.5	258	14	65
1413	SO[1116]	-9192.5	118	14	65
1414	SO[1117]	-9209.5	385.5	14	65
1415	SO[1118]	-9226.5	258	14	65
1416	SO[1119]	-9243.5	118	14	65
1417	SO[1120]	-9260.5	385.5	14	65
1418	SO[1121]	-9277.5	258	14	65

## EK79713CA

1359	SO[1062]	-8274.5	118	14	65
1360	SO[1063]	-8291.5	385.5	14	65
1361	SO[1064]	-8308.5	258	14	65
1362	SO[1065]	-8325.5	118	14	65
1363	SO[1066]	-8342.5	385.5	14	65
1364	SO[1067]	-8359.5	258	14	65
1365	SO[1068]	-8376.5	118	14	65
1366	SO[1069]	-8393.5	385.5	14	65
1367	SO[1070]	-8410.5	258	14	65
1368	SO[1071]	-8427.5	118	14	65
1369	SO[1072]	-8444.5	385.5	14	65
1370	SO[1073]	-8461.5	258	14	65
1371	SO[1074]	-8478.5	118	14	65
1372	SO[1075]	-8495.5	385.5	14	65
1373	SO[1076]	-8512.5	258	14	65
1374	SO[1077]	-8529.5	118	14	65
1375	SO[1078]	-8546.5	385.5	14	65
1376	SO[1079]	-8563.5	258	14	65
1377	SO[1080]	-8580.5	118	14	65
1378	SO[1081]	-8597.5	385.5	14	65
1379	SO[1082]	-8614.5	258	14	65
1380	SO[1083]	-8631.5	118	14	65

1419	SO[1122]	-9294.5	118	14	65
1420	SO[1123]	-9311.5	385.5	14	65
1421	SO[1124]	-9328.5	258	14	65
1422	SO[1125]	-9345.5	118	14	65
1423	SO[1126]	-9362.5	385.5	14	65
1424	SO[1127]	-9379.5	258	14	65
1425	SO[1128]	-9396.5	118	14	65
1426	SO[1129]	-9413.5	385.5	14	65
1427	SO[1130]	-9430.5	258	14	65
1428	SO[1131]	-9447.5	118	14	65
1429	SO[1132]	-9464.5	385.5	14	65
1430	SO[1133]	-9481.5	258	14	65
1431	SO[1134]	-9498.5	118	14	65
1432	SO[1135]	-9515.5	385.5	14	65
1433	SO[1136]	-9532.5	258	14	65
1434	SO[1137]	-9549.5	118	14	65
1435	SO[1138]	-9566.5	385.5	14	65
1436	SO[1139]	-9583.5	258	14	65
1437	SO[1140]	-9600.5	118	14	65
1438	SO[1141]	-9617.5	385.5	14	65
1439	SO[1142]	-9634.5	258	14	65
1440	SO[1143]	-9651.5	118	14	65

PAD No.	PAD Name	X-axis	Y-axis	W	H
1441	SO[1144]	-9668.5	385.5	14	65
1442	SO[1145]	-9685.5	258	14	65
1443	SO[1146]	-9702.5	118	14	65
1444	SO[1147]	-9719.5	385.5	14	65
1445	SO[1148]	-9736.5	258	14	65
1446	SO[1149]	-9753.5	118	14	65
1447	SO[1150]	-9770.5	385.5	14	65
1448	SO[1151]	-9787.5	258	14	65
1449	SO[1152]	-9804.5	118	14	65
1450	SO[1153]	-9821.5	385.5	14	65
1451	SO[1154]	-9838.5	258	14	65
1452	SO[1155]	-9855.5	118	14	65
1453	SO[1156]	-9872.5	385.5	14	65
1454	SO[1157]	-9889.5	258	14	65
1455	SO[1158]	-9906.5	118	14	65
1456	SO[1159]	-9923.5	385.5	14	65
1457	SO[1160]	-9940.5	258	14	65
1458	SO[1161]	-9957.5	118	14	65
1459	SO[1162]	-9974.5	385.5	14	65
1460	SO[1163]	-9991.5	258	14	65
1461	SO[1164]	-10008.5	118	14	65
1462	SO[1165]	-10025.5	385.5	14	65
1463	SO[1166]	-10042.5	258	14	65
1464	SO[1167]	-10059.5	118	14	65
1465	SO[1168]	-10076.5	385.5	14	65
1466	SO[1169]	-10093.5	258	14	65
1467	SO[1170]	-10110.5	118	14	65
1468	SO[1171]	-10127.5	385.5	14	65
1469	SO[1172]	-10144.5	258	14	65
1470	SO[1173]	-10161.5	118	14	65
1471	SO[1174]	-10178.5	385.5	14	65
1472	SO[1175]	-10195.5	258	14	65
1473	SO[1176]	-10212.5	118	14	65
1474	SO[1177]	-10229.5	385.5	14	65
1475	SO[1178]	-10246.5	258	14	65
1476	SO[1179]	-10263.5	118	14	65

PAD No.	PAD Name	X-axis	Y-axis	W	H
1501	SHIELDING	-10814	405.5	30	45
1502	AVSS	-10864	405.5	30	45
1503	AVSS	-10914	405.5	30	45
1504	OEVR	-11049	318	50	26
1505	INVBRR	-11179	398	50	26
1506	INVBRR	-11049	398	50	26
1507	OEVR	-11179	318	50	26
1508	UDR	-11179	238	50	26
1509	UDR	-11049	238	50	26
1510	CKVR	-11179	158	50	26
1511	CKVR	-11049	158	50	26
1512	STV1R	-11179	78	50	26
1513	STV1R	-11049	78	50	26
1514	STV2R	-11179	-2	50	26
1515	STV2R	-11049	-2	50	26
1516	STV1R	-11179	-82	50	26
1517	STV1R	-11049	-82	50	26
1518	STBNR	-11179	-162	50	26
1519	STBNR	-11049	-162	50	26
1520	DUMR	-11179	-242	50	26
1521	DUMR	-11049	-242	50	26

PAD Name	X-axis	Y-axis
ALM_L	-10773	134
ALM_R	10773	134

## EK79713CA

1477	SO[1180]	-10280.5	385.5	14	65
1478	SO[1181]	-10297.5	258	14	65
1479	SO[1182]	-10314.5	118	14	65
1480	SO[1183]	-10331.5	385.5	14	65
1481	SO[1184]	-10348.5	258	14	65
1482	SO[1185]	-10365.5	118	14	65
1483	SO[1186]	-10382.5	385.5	14	65
1484	SO[1187]	-10399.5	258	14	65
1485	SO[1188]	-10416.5	118	14	65
1486	SO[1189]	-10433.5	385.5	14	65
1487	SO[1190]	-10450.5	258	14	65
1488	SO[1191]	-10467.5	118	14	65
1489	SO[1192]	-10484.5	385.5	14	65
1490	SO[1193]	-10501.5	258	14	65
1491	SO[1194]	-10518.5	118	14	65
1492	SO[1195]	-10535.5	385.5	14	65
1493	SO[1196]	-10552.5	258	14	65
1494	SO[1197]	-10569.5	118	14	65
1495	SO[1198]	-10586.5	385.5	14	65
1496	SO[1199]	-10603.5	258	14	65
1497	SO[1200]	-10620.5	118	14	65
1498	SHIELDING	-10664	405.5	30	45
1499	COMI_T	-10714	405.5	30	45
1500	COMI_T	-10764	405.5	30	45

## 8. DEFINITIONS

### 8.1. Data Sheet Status

Preliminary Data Sheet	This data sheet contains preliminary data; supplementary data may be published later.
Data Sheet	This data sheet contains final product specifications.

Contents in the document are subject to change without notice.

### 8.2. Life Support Application

These products are not designed for use in life support appliances, devices, or systems where malfunction of these products can reasonably be expected to result in personal injury. fitipower customers using or selling these products for use in such applications do so at their own risk and agree to fully indemnify fitipower for any damages resulting from such improper use or sale.

## 9. REVISION HISTORY

Revision	Content	Page	Date
1.0	1. New issue	-	2018/05/17



2.0	1. Update PAD coordinates(without bump shift)	25~37	2018/05/31
2.1	1. Update PAD coordinates(without bump shift)	25~37	2018/07/04

FITIPOWER CONFIDENTIAL  
NO DISCLOSURE